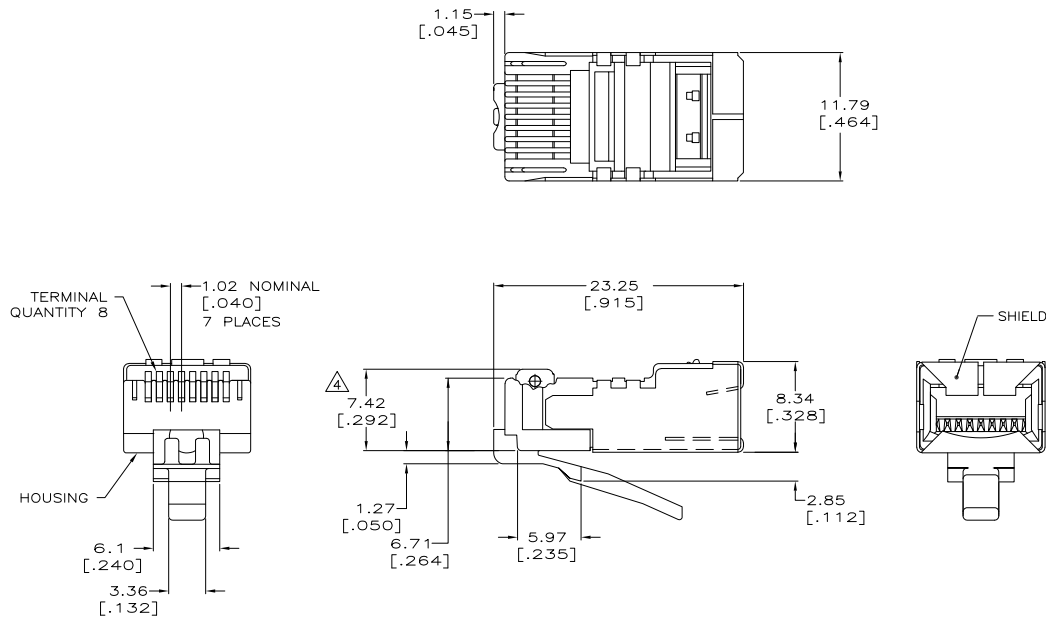


THIS DRAWING IS UNPUBLISHED. RELEASED FOR PUBLICATION.
 © COPYRIGHT BY TYCO ELECTRONICS CORPORATION. ALL INTERNATIONAL RIGHTS RESERVED.

LOC	DIST	REVISIONS					
		F	LNK	DESCRIPTION	DATE	BY	APPD
HM	00	C		REV ECO-06-022160	30OCT08	LH	CD
		D		REV ECO-09-020340	17SEP09	LH	BM



- 1. DIMENSIONS ARE MAXIMUM UNLESS OTHERWISE SPECIFIED.
- 2. MATERIAL: HOUSING - POLYCARBONATE, BLUE
 TERMINAL - PHOSPHOR BRONZE, PLATED WITH 1.27µm [.000050] MINIMUM THICK GOLD IN LOCALIZED GOLD PLATE AREA, GOLD FLASH OVER THE REMAINDER, OVER 2.54µm [.000100] MINIMUM THICK NICKEL UNDERPLATE.
 SHIELD - COPPER ALLOY WITH 1.27µm [.000050] MINIMUM SEMI-BRIGHT (SATIN) NICKEL.
- 3. PLUG WILL ACCEPT 26 TO 28 AWG STRANDED WIRE, 0.74-0.86 [.029-.034] DIAMETER, WITH A 5.08 [.200] DIAMETER MAXIMUM JACKET.
- 4. TERMINATED DIMENSION 6.15 [.242] MAXIMUM.
- 5. 500 ASSEMBLIES PER PACKAGE.
- 6. 100 ASSEMBLIES PER PACKAGE.

5-406342-3	
5-406342-2	
PACKAGED	PART NUMBER

THIS DRAWING IS A CONTROLLED DOCUMENT.		BY: L. HALL	22OCT2008	Tyco Electronics Corporation	
DIMENSIONS: mm [INCHES]		CHK: C. DOOLEY	30OCT2008	Harrisburg, PA 17105-3608	
TOLERANCES UNLESS OTHERWISE SPECIFIED:		APP: C. DOOLEY	30OCT2008	NAME	
0 PLG	± .010	PRODUCT SPEC	108-1163	MODULAR PLUG ASSEMBLY,	
1 PLG	± .010	APPLICATION SPEC	114-6016	8 POSITION, SHIELDED, SMALL CONDUCTOR,	
2 PLG	± .010	FINISH		ROUND CABLE, STRANDED WIRE	
3 PLG	± .010	MATERIAL		SIZE	ONE CODE (DRAWING NO)
4 PLG	± .010	FINISH		A2	00779C=406342
ANGLES	± .010			RESTRICTED TO	
				CUSTOMER DRAWING	SCALE 4:1 SHEET 1 of 1 REV D

1471-9 (1/08)

406342