

4

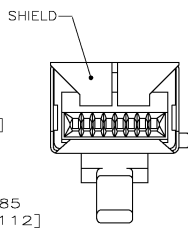
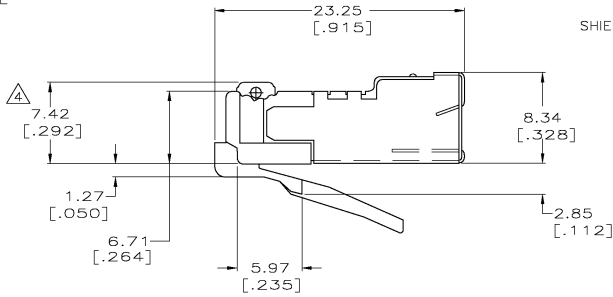
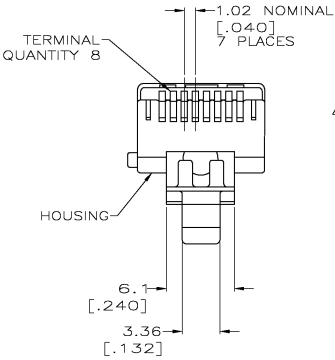
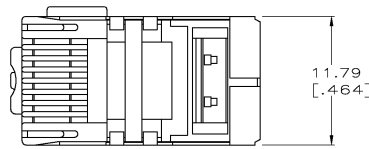
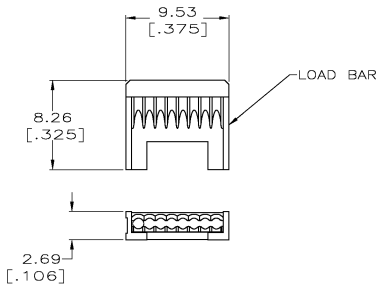
3

2

1

THIS DRAWING IS UNPUBLISHED. RELEASED FOR PUBLICATION  
 © COPYRIGHT BY TYCO ELECTRONICS CORPORATION. ALL RIGHTS RESERVED.

LOC	DIST	REVISIONS			
P	LTR	DESCRIPTION	DATE	OWN	APP
HM	00				
B		REV ECR-05-000505	15MAR05	LH	CD



- ⚠ DIMENSIONS ARE MAXIMUM UNLESS OTHERWISE SPECIFIED.
- ⚠ MATERIAL: HOUSING - POLYCARBONATE, CLEAR. TERMINAL - PHOSPHOR BRONZ, PLATED WITH 1.27μm[.000050] MINIMUM THICK GOLD IN LOCALIZED GOLD PLATE AREA, GOLD FLASH OVER THE REMAINDER, OVER 2.54μm[.000100] MINIMUM THICK NICKEL UNDERPLATE. SHIELD - COPPER ALLOY PLATED WITH 1.27μm [.000050] MINIMUM SEMI-BRIGHT (SATIN) NICKEL. LOAD BAR - PBT POLYESTER, BLACK.
- 3. PLUG WILL ACCEPT A 24 OR 26 AWG STRANDED CONDUCTOR, PROVIDED THE INSULATED CONDUCTOR DIAMETER IS 0.89[.035] TO 0.99[.039] WITH A FOIL SHIELDED, PLIABLE, LOOSE CABLE JACKET OF 4.83[.190] TO 5.33[.210] DIAMETER OR A FOIL SHIELDED, RIGID, HARD CABLE JACKET OF 4.83 [.190] TO 5.08[.200] DIAMETER.
- ⚠ TERMINATED DIMENSION 6.15[.242] MAXIMUM.
- ⚠ PACKAGED 500 ASSEMBLIES AND 500 LOAD BARS PER CARTON.

⚠	5-406999-2
PACKAGED	PART NUMBER

THIS DRAWING IS A CONTROLLED DOCUMENT.		DW	L. HALL	15MAR2005	<b>tyco</b> Electronics	Tyco Electronics Corporation Horshurst, Pa 17105-3508	
DIMENSIONS: mm [INCHES]		CHK	C. DOOLEY	15MAR2005			
TOLERANCES UNLESS OTHERWISE SPECIFIED:		APP	C. DOOLEY	15MAR2005	NAME: MODULAR PLUG ASSEMBLY, 8 POSITION, SHIELDED, ROUND CABLE, STRANDED WIRE, HIGH PERFORMANCE, KEYED		
0 P.L.C. ± .005		PRODUCT SPEC		108-1163-2	SEE SIZE CODE FOR WIRE NO.		
1 P.L.C. ± .005		APPLICATION SPEC		114-6053	RESTRICTED TO		
2 P.L.C. ± .005		MATERIAL		—	A2 00779 ©=406999		
3 P.L.C. ± .005		FINISH		—	SCALE 4:1 SHEET 1 OF 1 REV B		
4 P.L.C. ± .005		CUSTOMER DRAWING		—			
ANGLES				—			

AMP 1431-9 REV 31MAR2000

406999

A