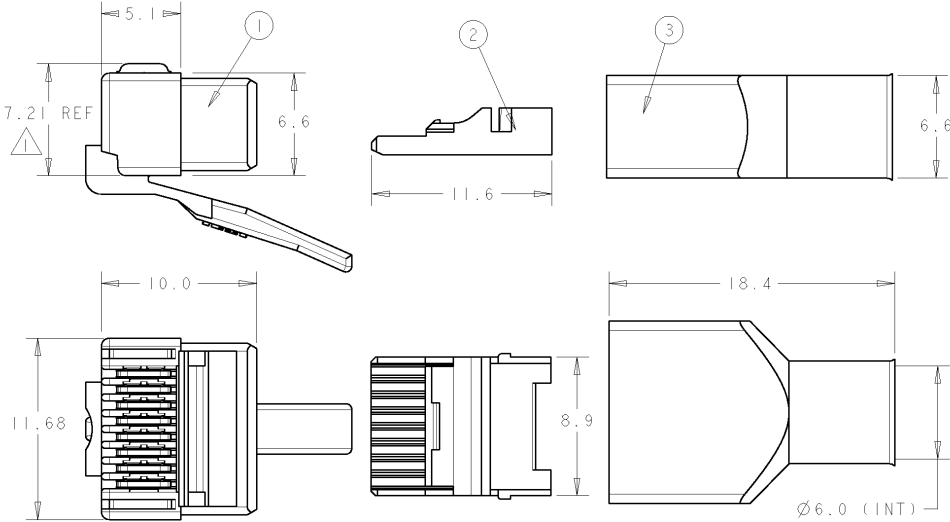


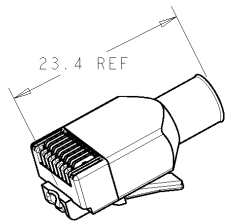
THIS DRAWING IS UNPUBLISHED. RELEASED FOR PUBLICATION 2008
 © COPYRIGHT 2008 BY TYCO ELECTRONICS CORPORATION. ALL RIGHTS RESERVED.

LOC 1K DIST 2

REVISIONS						
P	LTR	DESCRIPTION	DATE	DWN	APVD	
B		ES00-0073-01	11JUL01	JC	RS	
B1		ES00-0073-03	01SEP03	RS	JL	
C		REVISED	30JUN06	JG	RS	
D		Cable 5,3 w 6,0; Ni 1,27 w 2,0; Add not 7	22OCT2008	LD	JS	



- 1 TERMINATED DIMENSION 6.02±0.13
- 2 PACKAGING:
100 SUB-ASSEMBLIES,
100 WIRE HOLDERS AND
100 SHIELDS PER CARTON
- 3 PACKAGING:
1000 SUB-ASSEMBLIES,
1000 WIRE HOLDERS AND
1000 SHIELDS PER CARTON
4. CABLE RANGE:
- 4 TWISTED PAIRS
- JACKET DIAMETER: FROM 5.3 TO 6.0
- SHIELDING: FOIL AND/OR BRAID
- 24/26 AWG STRANDED WIRE
- INSULATION DIAMETER: FROM 0.8 TO 1.0
- 5 1.27 MICRONS MIN. THICK GOLD IN LOCALIZED GOLD PLATE AREA, GOLD FLASH ON THE REMAINDER OVER 1.27 MICRONS MIN. THICK NICKEL UNDERPLATE.
6. MEET SPECIFICATIONS:
- IEC 60603-7
- TIA/EIA 568-B.2
7. FLAMMABILITY RATING: UL 94V-0



3	2	NICKEL	BRASS	SHIELD	3
3	2	---	PC	WIRE HOLDER	2
-2	-1	CONTACT: 5	PC, PH. BRONZE	ASSY, 8 POSN, SHIELDED, ROUND CABLE, MOD PLUG	1
		FINISH	MATERIAL	DESCRIPTION	ITEM

<small>THIS DRAWING IS A CONTROLLED DOCUMENT FOR TYCO ELECTRONICS CORPORATION. IT IS SUBJECT TO CHANGE AND THE CONTROLLING ENGINEERING DEPARTMENT SHOULD BE CONTACTED FOR THE LATEST REVISION.</small>		DWN 22OCT08 L. de Dias CHK A 22OCT08 A Puell APVD I 22OCT08 I Sanabria	Tyco Electronics Tyco Electronics AMP España, S.A. Barcelona, Spain.
DIMENSIONS: mm 	TOLERANCES UNLESS OTHERWISE SPECIFIED: 0 PLC ± 1 PLC ±0.2 2 PLC ±0.1 3 PLC ± 4 PLC ± ANGLES ±	PRODUCT SPEC 108-19102 APPLICATION SPEC 114-22008 WEIGHT -	NAME KIT, 8 POSN, SHLD, RND CABLE, MOD PLUG SIZE A3 CAGE CODE 00779 DRAWING NO C-336330 RESTRICTED TO -
MATERIAL SEE TABLE	FINISH SEE TABLE	CUSTOMER DRAWING	SCALE 2:1 SHEET 1 OF 1 REV D

AMP 1470-19 REV 31MAR2000

Proj/ENGINEER DRAWING