

4

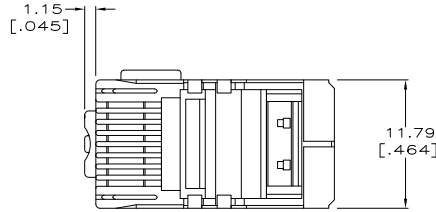
3

2

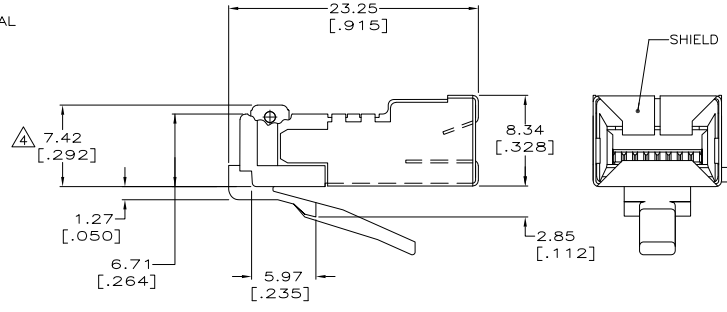
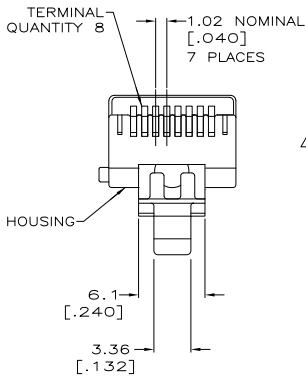
1

THIS DRAWING IS UNPUBLISHED. RELEASED FOR PUBLICATION.
 © COPYRIGHT BY TYCO ELECTRONICS CORPORATION. ALL INTERNATIONAL RIGHTS RESERVED.

LOC	DIST	REVISIONS		
F	LNK	DESCRIPTION	DATE	BY
E		REV ECO-09-020340	17SEP09	LH BM



- △ DIMENSIONS ARE MAXIMUM UNLESS OTHERWISE SPECIFIED.
- △ MATERIAL: HOUSING-POLYCARBONATE, CLEAR TERMINAL- PHOSPHOR BRONZE, PLATED WITH 1.27μm [.000050] MINIMUM THICK GOLD IN LOCALIZED GOLD PLATE AREA, GOLD FLASH OVER THE REMAINDER, OVER 2.54μm [.000100] MINIMUM THICK NICKEL UNDERPLATE. SHIELD - COPPER ALLOY WITH 1.27μm [.000050] MINIMUM SEMI-BRIGHT (SATIN) NICKEL.
- 3. PLUG WILL ACCEPT 24 TO 28 AWG STRANDED WIRE, 0.74-0.99 [.029-.039] DIAMETER, WITH A 2.80 X 9.02 [.110 X .355] MAXIMUM JACKET.
- △ TERMINATED DIMENSION 6.15 [.242] MAXIMUM.
- △ 500 ASSEMBLIES PER PACKAGE.



△	5-569543-2
PACKAGED	PART NUMBER

THIS DRAWING IS A CONTROLLED DOCUMENT.		DRN G. CABRETT 10-10-95	Tyco Electronics Corporation Harrisburg, PA 17105-3608	
DIMENSIONS: mm [INCHES]		CHK C. WHITT 10-30-95	APPROVED E. LAURER 11-6-95	
TOLERANCES UNLESS OTHERWISE SPECIFIED:		NAME		
0 PLG	± .005	108-1163		
1 PLG	± .005	APPLICATION SPEC		
2 PLG	± .005	114-6016		
3 PLG	± .005	HEIGHT		
4 PLG	± .005	A2 00779 C=569543		
ANGLES	± .005	CUSTOMER DRAWING		
FINISH	△	SCALE 4:1 SHEET 1 of 1 REV E		

1471-9 (1/08)

569543