

4

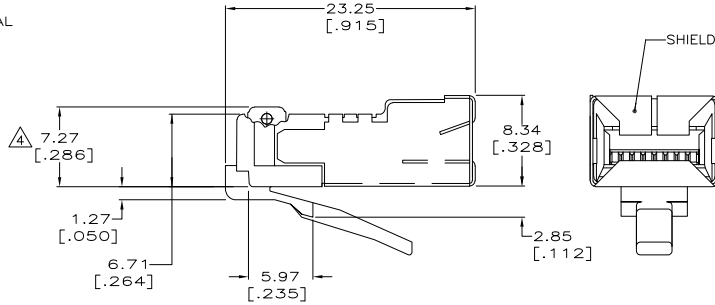
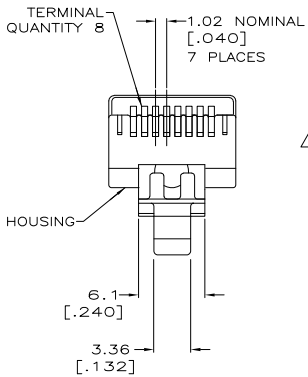
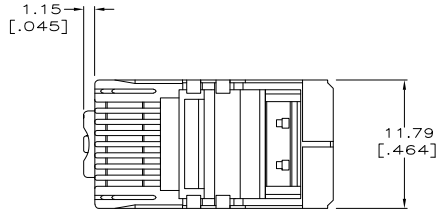
3

2

1

THIS DRAWING IS UNPUBLISHED. RELEASED FOR PUBLICATION
 © COPYRIGHT BY TYCO ELECTRONICS CORPORATION. ALL RIGHTS RESERVED.

LOC	DIST	REVISIONS			
HM	00	F	LTR		
		B	REVISED PER EC 0515-0123-03	11APR03	DLD ECL
		C	REV ECO-06-004380	07JUN06	LH CD
		D	REV ECO-06-022160	30OCT06	LH CD



- ⚠ DIMENSIONS ARE MAXIMUM UNLESS OTHERWISE SPECIFIED.
- ⚠ MATERIAL: HOUSING - POLYCARBONATE, CLEAR TERMINAL - PHOSPHOR BRONZE, PLATED WITH 1.27μm [.000050] MINIMUM THICK GOLD IN LOCALIZED GOLD PLATE AREA, GOLD FLASH OVER THE REMAINDER, OVER 2.54μm [.000100] MINIMUM THICK NICKEL UNDERPLATE. SHIELD - COPPER ALLOY WITH 1.27μm [.000050] MINIMUM SEMI-BRIGHT (SATIN) NICKEL.
- 3. PLUG WILL ACCEPT 24 OR 26 AWG SOLID WIRE, 0.74-0.99 [.029-.039] DIAMETER, WITH A 2.80 X 9.02 [.110 X .355] MAXIMUM JACKET.
- ⚠ TERMINATED DIMENSION 6.15 [.242] MAXIMUM.
- ⚠ PACKAGED 500 ASSEMBLIES PER CARTON.

⚠	5-569540-2
PACKAGED	PART NUMBER

THIS DRAWING IS A CONTROLLED DOCUMENT.		DRN C. CARRETT	10-10-95	 Tyco Electronics Corporation Harrisburg, PA 17105-3608
DIMENSIONS: mm [INCHES]		CHK C. WHITT	10-30-95	
TOLERANCES UNLESS OTHERWISE SPECIFIED:		APP'D E. LAURER	11-6-95	NAME
0 PLG	± .005	PRODUCT SPEC		108-1163
1 PLG	± .005	APPLICATION SPEC		114-6016
2 PLG	± .005	MATERIAL		-
3 PLG	± .005	FINISH		-
4 PLG	± .005	CUSTOMER DRAWING		SCALE 4:1 SHEET 1 of 1 REV D
RESTRICTED TO		SIZE		A2
-		CAGE CODE (FARING ID)		00779
-		CAGE CODE		569540

AMP 1471-9 REV 31MM0200

569540

A