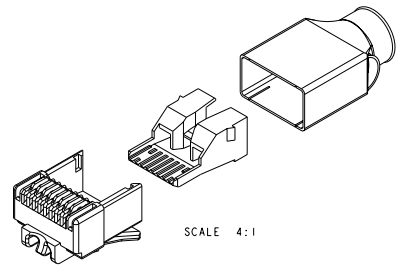
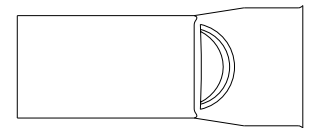
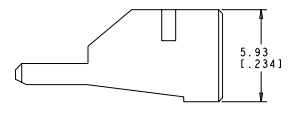
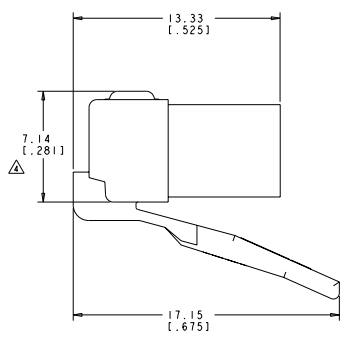
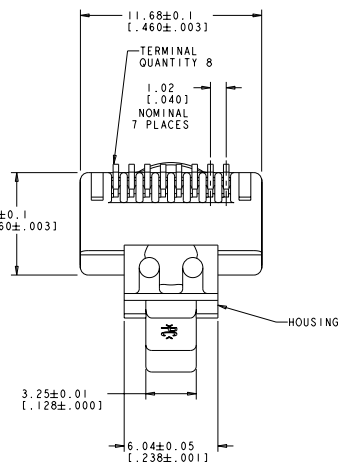
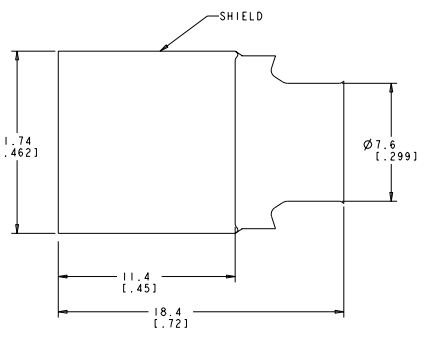
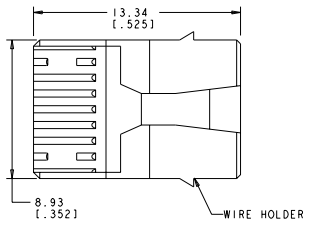
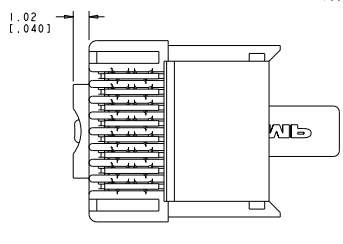


REV	DATE	DESCRIPTION	BY	CHK	APP
A	REV: NPA NS002-005		ALUMBI	GS	MD
B	REV: ECO-98-023369		ELKOTPA	GS	CO
C	REV: ECO-98-023658		SHWYTH	GS	CC
D	REV ECO-98-011917		SHWYTH	LN	DM



- △ MATERIAL: HOUSING - 94V-0 RATED POLYCARBONATE CLEAR TERMINAL - 0.36 [0.014] THICK PHOSPHOR BRONZE PLATED WITH 1.27  $\mu$ m [0.00050] MINIMUM THICK GOLD IN LOCALIZED AREA. GOLD FLASH OVER THE REMAINDER. OVER 2.54  $\mu$ m [0.00100] MINIMUM THICK NICKEL UNDERPLATE.
- △ WIRE HOLDER - POLYCARBONATE MAKROLON CLEAR.
- △ SHIELD - BRASS DIN 17660 - CuZn33
- △ DIMENSIONS ARE NOMINAL UNLESS OTHERWISE SPECIFIED.
- 3. PLUG WILL ACCEPT A 23-24 AWG SOLID CONDUCTOR, PROVIDED THE INSULATION CONDUCTOR DIAMETER IS WITHIN .89 - 1.09 [0.35 - .043]; WITH THE SUM OF DIAMETERS FOR ALL EIGHT CONDUCTORS WITHIN THE CABLE MUST NOT EXCEED 7.8MM [1.31 IN]. CABLE JACKET DIAMETER OF 6.0 - 7.0 MM [1.24 - .28 IN].
- △ TERMINATED DIMENSION 6.15 [1.242] MAXIMUM.
- △ PACKAGE 1,000 ASSEMBLIES, 1,000 WIRE HOLDERS, AND 1,000 SHIELDS.
- △ PACKAGE 100 ASSEMBLIES, 100 WIRE HOLDERS, AND 100 SHIELDS.
- △ PACKAGE 25 ASSEMBLIES, 25 WIRE HOLDERS, AND 25 SHIELDS.
- △ PACKAGE 500 ASSEMBLIES, 500 WIRE HOLDERS, AND 500 SHIELDS.
- 9. MODULAR PLUG BOOT PART NUMBER 1711510-X (X-DENOTES VARIOUS COLORS) MAY BE USED WITH KIT ASSEMBLY SHOWN.
- 10. UL RECOGNIZED: FILE NUMBER E81956.



△	5-1479185-4
△	5-1479185-3
△	5-1479185-2
△	5-1479185-1
	PACKAGE PART NO.

DATE: 02/24/02	BY: GARRETT	24JAN02	DATE: 02/24/02	BY: DELPHIAS	24JAN02
MILNAMES: 116-13835			SPECIFICATION SHEET		
STATE: PA			CITY: HARRISBURG		
COUNTRY: USA			CUSTOMER DRAWING		
KIT: 8 POSITION, MODULAR PLUG, SOLID WIRE, CATEGORY 6			PART NO: 00778		
REV: A			PAGE: 8:1		