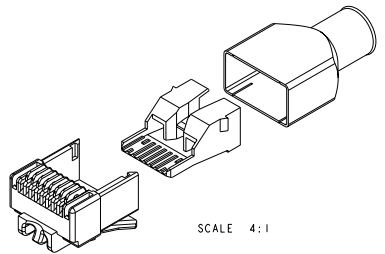
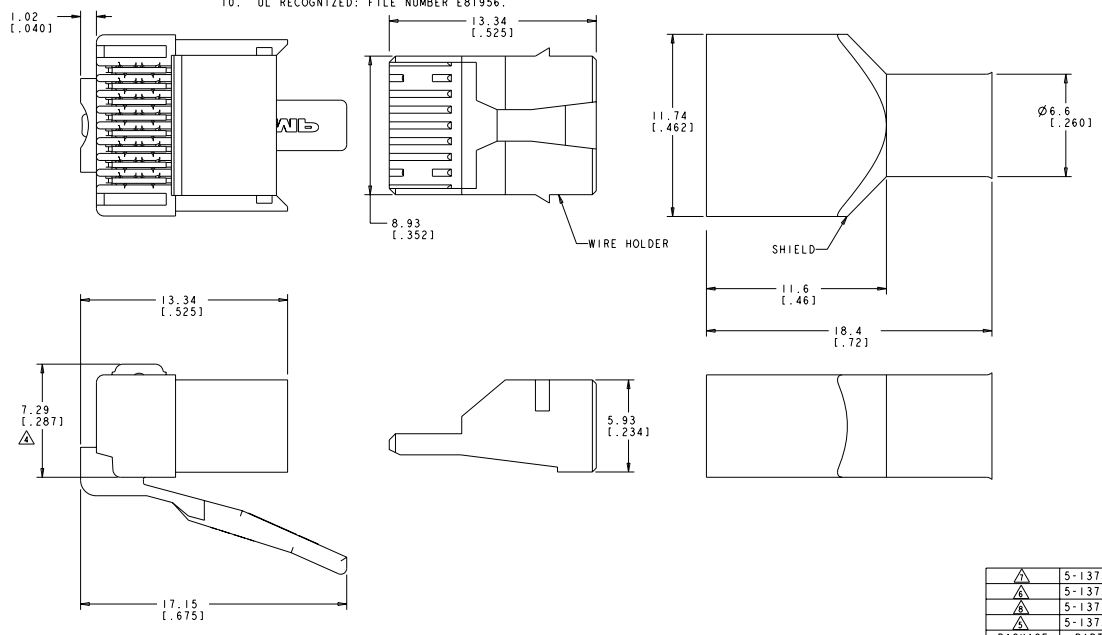


REV	DATE	DESCRIPTION	BY	CHK	APP
00		REV ECO-00-011017			

- △ MATERIAL: HOUSING - 94V-0 RATED POLYCARBONATE CLEAR TERMINAL - 0.36 [.014] THICK PHOSPHOR BRONZE PLATED WITH 1.27 μm [.000050] MINIMUM THICK GOLD IN LOCALIZED AREA, GOLD FLASH OVER THE REMAINDER; OVER 2.54 μm [.000100] MINIMUM THICK NICKEL UNDERPLATE. WIRE HOLDER - POLYCARBONATE MAKROLON CLEAR. SHIELD - BRASS DIN 17660 - CuZn33.
- △ DIMENSIONS ARE NOMINAL UNLESS OTHERWISE SPECIFIED.
- 3. PLUG WILL ACCEPT A 24-26 AWG STRANDED CONDUCTOR, PROVIDED THE INSULATION CONDUCTOR DIAMETER IS WITHIN .89 - 1.09 (.035 - .043); WITH THE SUM OF DIAMETERS FOR ALL EIGHT CONDUCTORS WITHIN THE CABLE MUST NOT EXCEED 7.8MM [.31 IN].
- △ TERMINATED DIMENSION 6.15 [.242] MAXIMUM.
- △ PACKAGE 1,000 ASSEMBLIES, 1,000 WIRE HOLDERS, AND 1,000 SHIELDS.
- △ PACKAGE 100 ASSEMBLIES, 100 WIRE HOLDERS, AND 100 SHIELDS.
- △ PACKAGE 25 ASSEMBLIES, 25 WIRE HOLDERS, AND 25 SHIELDS.
- △ PACKAGE 500 ASSEMBLIES, 500 WIRE HOLDERS, AND 500 SHIELDS.
- 9. MODULAR PLUG BOOT, PART NUMBER 137893-X (X-DENOTES VARIOUS COLORS), MAY BE USED WITH KIT ASSEMBLY SHOWN.
- 10. UL RECOGNIZED: FILE NUMBER E81956.



SCALE 4:1



△	5-1375202-4
△	5-1375202-3
△	5-1375202-2
△	5-1375202-1
PACKAGE	PART NO.

DATE	00778	REV	1375202
DESCRIPTION	KIT, 8 POSN, MOD PLUG, STRANDED WIRE, CAT 6		
QUANTITY	1000	UNIT	EA
DATE	00778	REV	1375202
DESCRIPTION	KIT, 8 POSN, MOD PLUG, STRANDED WIRE, CAT 6		
QUANTITY	1000	UNIT	EA
DATE	00778	REV	1375202
DESCRIPTION	KIT, 8 POSN, MOD PLUG, STRANDED WIRE, CAT 6		
QUANTITY	1000	UNIT	EA