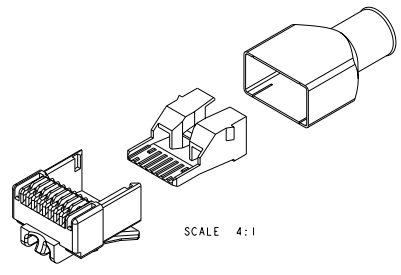
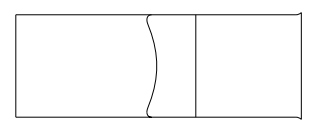
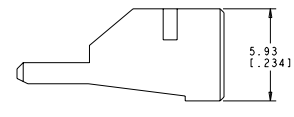
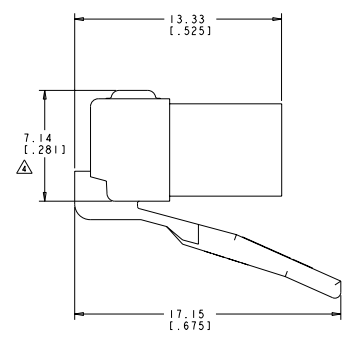
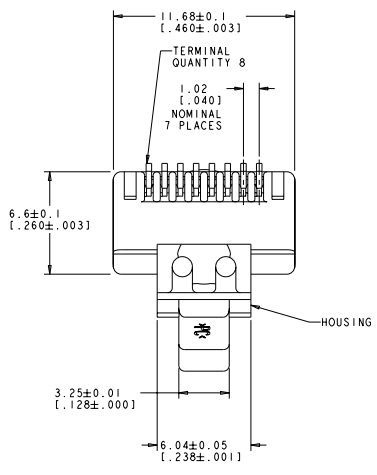
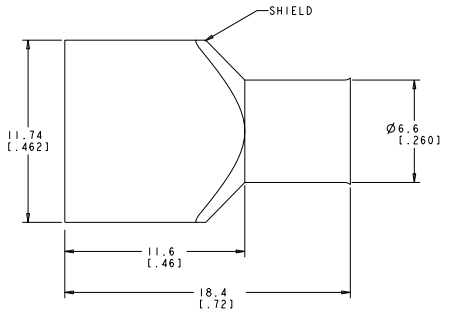
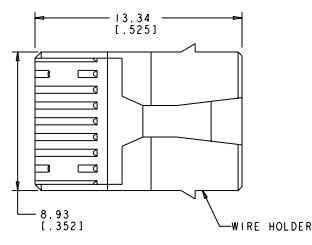
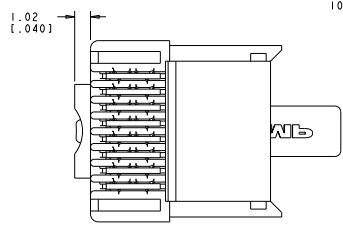


REV	DATE	DESCRIPTION	BY	CHK	APP
E	REV ECO-00-011017				

- △ MATERIAL: HOUSING - 94V-0 RATED POLYCARBONATE CLEAR TERMINAL - 0.38 [0.014] THICK PHOSPHOR BRONZE PLATED WITH 1.27 μm [0.00050] MINIMUM THICK GOLD IN LOCALIZED AREA, GOLD FLASH OVER THE REMAINDER, OVER 2.54 μm [0.00100] MINIMUM THICK NICKEL UNDERPLATE.
- △ WIRE HOLDER - POLYCARBONATE MAKROLON CLEAR.
- △ SHIELD - BRASS DIN 17860 - Cu2n33.
- △ DIMENSIONS ARE NOMINAL UNLESS OTHERWISE SPECIFIED.
- 3. PLUG WILL ACCEPT A 23-24 AWG SOLID CONDUCTOR, PROVIDED THE INSULATION CONDUCTOR DIAMETER IS WITHIN .89 - 1.09 [0.035 - .043]; WITH THE SUM OF DIAMETERS FOR ALL EIGHT CONDUCTORS WITHIN THE CABLE MUST NOT EXCEED 7.8MM [0.31 IN]. CABLE JACKET DIAMETER OF 5.0 - 6.0MM [0.20 - 0.24 IN].
- △ TERMINATED DIMENSION 6.15 [0.242] MAXIMUM.
- △ PACKAGE 1,000 ASSEMBLIES, 1,000 WIRE HOLDERS, AND 1,000 SHIELDS.
- △ PACKAGE 100 ASSEMBLIES, 100 WIRE HOLDERS, AND 100 SHIELDS.
- △ PACKAGE 25 ASSEMBLIES, 25 WIRE HOLDERS, AND 25 SHIELDS.
- △ PACKAGE 500 ASSEMBLIES, 500 WIRE HOLDERS, AND 500 SHIELDS.
- 9. MODULAR PLUG BOOT PART NUMBER T37893-X (X-DENOTES VARIOUS COLORS) MAY BE USED WITH KIT ASSEMBLY SHOWN.
- 10. UL RECOGNIZED: FILE NUMBER E81956.



SCALE 4:1



△	S-1375204-4
△	S-1375204-3
△	S-1375204-2
△	S-1375204-1
	PACKAGE PART NO.

DATE: 30 JUL 2001		TIME ELECTRONICS	
DRAWN BY: [Signature]		HARRISBURG, PA 17105-3600	
CHECKED BY: [Signature]		KIT, 8 POSN, MOD PLUG, SOLID WIRE, CAT 6	
MATERIAL: [Symbol]		STATE: PA	
PART NO: 1375204		CAGE CODE: 00778	
REV: 00		PART NO: S-1375204	
CUSTOMER DRAWING		PAGE 8:1 OF 1	