

4

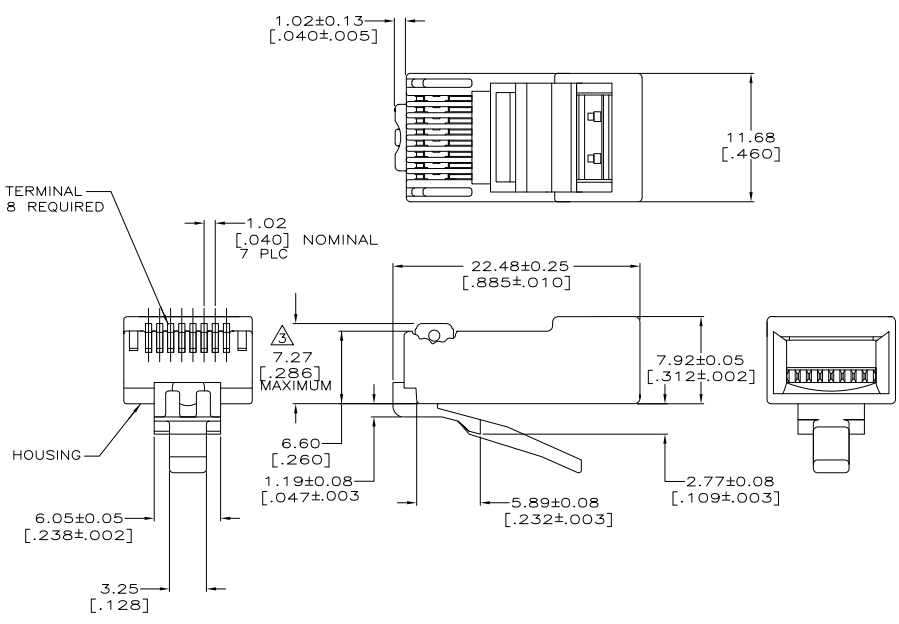
3

2

1

THIS DRAWING IS UNPUBLISHED. RELEASED FOR PUBLICATION
 BY TYCO ELECTRONICS CORPORATION. ALL RIGHTS RESERVED.

LOC	DIST	REVISIONS					
HM	00	F	LR	DESCRIPTION	DATE	BY	APPD
		A		QBS/5/15/3EC 0502-0830-97	19MAY98	DS	EL
		A1		REV ECO-08-004864	29FEB98	LH	BH



- 1. MATERIAL: HOUSING- POLYCARBONATE, CLEAR TERMINAL- PHOSPHOR BRONZE, PLATED WITH 1.27μm [.000050] MINIMUM THICK GOLD IN LOCALIZED GOLD PLATE AREA, GOLD FLASH OVER THE REMAINDER, OVER 2.54μm [.000100] MINIMUM THICK NICKEL UNDERPLATE.
- 2. PLUG WILL ACCEPT 24 OR 26 AWG SOLID WIRE, 0.74-0.99 [.029-.039] DIAMETER. CABLE JACKET OUTSIDE DIAMETER 5.08 [.200] MAXIMUM.
- 3. TERMINATED DIMENSION 6.15 [.242] MAXIMUM.
- 5. 500 ASSEMBLIES PER PACKAGE.

5	5-569215-2
PACKAGED	PART NO.

THIS DRAWING IS A CONTROLLED DOCUMENT.		DRW	S. SIMPSON	3-03-95	Tyco Electronics Corporation Harrisburg, PA 17105-3608	
DIMENSIONS: mm [INCHES]		CHK	C. WHITT	3-16-95	NAME	
TOLERANCES UNLESS OTHERWISE SPECIFIED:		APPD	F. LAURER	3-23-95	MODULAR PLUG ASSEMBLY, 8 POSITION, SMALL OPENING, ROUND CABLE, SOLID WIRE	
0 PLC	±	PRODUCT SPEC	108-1163	SIZE	ONE CODE	DRAWING NO
1 PLC	±	APPLICATION SPEC	114-6016	HEIGHT	A2	00779
2 PLC	±	FINISH		SCALE	C	569215
3 PLC	±	MATERIAL		CUSTOMER DRAWING		
4 PLC	±	FINISH		RESTRICTED TO		
ANGLES	±			SCALE	4:1	SHEET 1 of 1 REV A1

AMP 1471-9 REV 31MM2000