

4

3

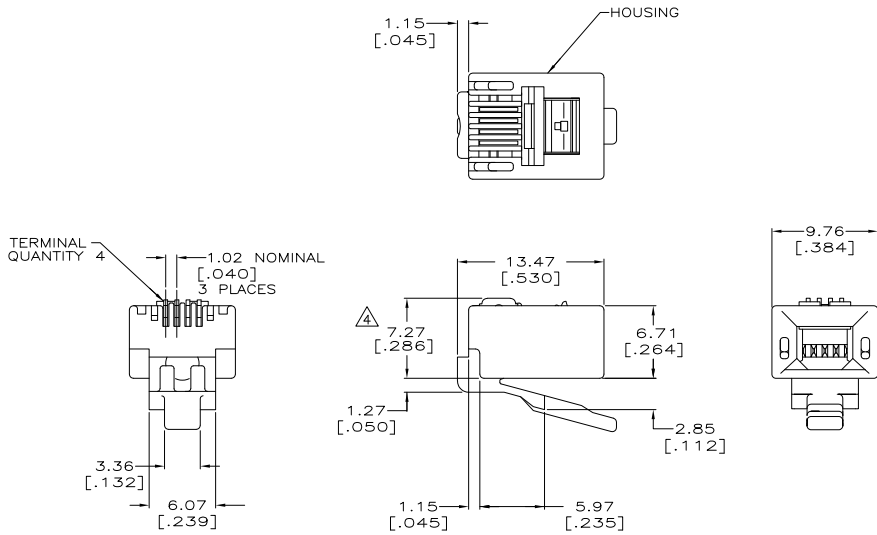
2

1

THIS DRAWING IS UNPUBLISHED. RELEASED FOR PUBLICATION
 BY TYCO ELECTRONICS CORPORATION. ALL RIGHTS RESERVED.

| LOC | DIST | REVISIONS | | |
|-----|------|-------------------|---------|-------|
| F | LTR | DESCRIPTION | DATE | BY |
| B | | REV ECO-08-004864 | 29FEB08 | LH BM |

- ⚠ DIMENSIONS ARE MAXIMUM UNLESS OTHERWISE SPECIFIED.
- ⚠ MATERIAL: HOUSING-POLYCARBONATE,CLEAR. TERMINAL-0.36[.014] THICK PHOSPHOR BRONZE PLATED WITH 1.27 μ m[.000050] MINIMUM THICK GOLD IN LOCALIZED GOLD PLATE AREA, GOLD FLASH OVER THE REMAINDER, OVER 2.54 μ m[.000100] MINIMUM THICK NICKEL UNDERPLATE.
- 3. PLUG WILL ACCEPT 24 OR 26 AWG SOLID WIRE HAVING A MAXIMUM INSULATION DIAMETER OF 0.99[.039] AND A MAXIMUM DIAMETER ROUND CABLE JACKET OF 2.79 [.110].
- ⚠ 4. TERMINATED DIMENSION 6.15[.242] MAXIMUM.
- ⚠ 6. 100 ASSEMBLIES PER PACKAGE.



| | |
|----------|------------|
| ⚠ | 5-569030-3 |
| PACKAGED | PART NO. |

| | | | | | |
|--|--|------------------|------------|-----------|---|
| THIS DRAWING IS A CONTROLLED DOCUMENT. | | DWG | L. HALL | 29FEB2008 | Tyco Electronics Corporation Harrisburg, PA 17105-3608 |
| | | CHK | S. MCNEILL | 29FEB2008 | |
| | | APPD | B. MCNEILL | 29FEB2008 | NAME |
| | | PRODUCT SPEC | | | 108-1163 |
| | | APPLICATION SPEC | | | 114-6016 |
| | | WEIGHT | | | - |
| | | CUSTOMER DRAWING | | | SCALE 4:1 SHEET 1 of 1 REV B |

AMP 1471-9 REV 31MM2000

569030

A