

4

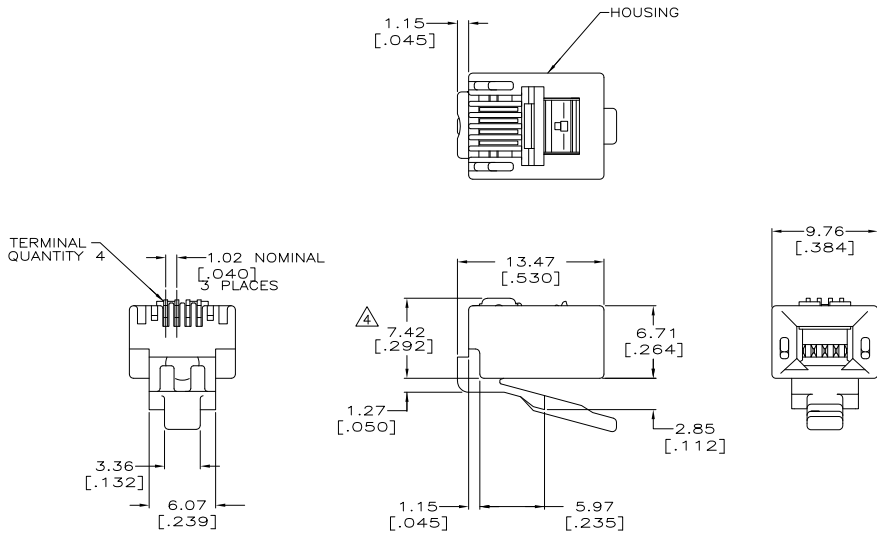
3

2

1

THIS DRAWING IS UNPUBLISHED. RELEASED FOR PUBLICATION  
 © COPYRIGHT BY TYCO ELECTRONICS CORPORATION. ALL RIGHTS RESERVED.

LOC	DIST	REVISIONS			
F	LTR	DESCRIPTION	DATE	BY	APP'D
A		QBS 5/4, EC 0502-0828-97	19MAY98	DD	EL
B		REV ECO-08-007212	31MAR08	LH	BM



- 1. DIMENSIONS ARE MAXIMUM UNLESS OTHERWISE SPECIFIED.
- 2. MATERIAL: HOUSING-POLYCARBONATE,CLEAR. TERMINAL-0.36[.014] THICK PHOSPHOR BRONZE PLATED WITH 1.27μm[.000050] MINIMUM THICK GOLD IN LOCALIZED GOLD PLATE AREA, GOLD FLASH OVER THE REMAINDER, OVER 2.54μm[.000100] MINIMUM THICK NICKEL UNDERPLATE.
- 3. PLUG WILL ACCEPT 26 OR 28 AWG STRANDED WIRE HAVING A MAXIMUM INSULATION DIAMETER OF 0.99[.039] AND A MAXIMUM DIAMETER ROUND CABLE JACKET OF 2.79 [.110].
- 4. TERMINATED DIMENSION 6.15[.242] MAXIMUM.
- 5. 1000 ASSEMBLIES PER PACKAGE.
- 6. 100 ASSEMBLIES PER PACKAGE

5-569031-3
5-569031-2
PACKAGED PART NO.

THIS DRAWING IS A CONTROLLED DOCUMENT.		BY	DATE	Tyco Electronics Corporation	
D. STRAUSSER		1-11-95	Harrisburg, PA 17105-3608		
OK		D. HUSSEY	1-13-95	Tyco Electronics	
DIMENSIONS:		APPRO		NAME	
MM (INCHES)		-		-	
0 PLC		-		PRODUCT SPEC	
1 PLC		-		108-1163	
2 PLC		-		APPLICATION SPEC	
3 PLC		-		114-6016	
4 PLC		-		SIZE	
ANGLES		-		A2	
FINISH		-		CAGE CODE	
-		-		00779	
-		-		DRAWING NO	
-		-		C-569031	
-		-		RESTRICTED TO	
-		-		-	
-		-		CUSTOMER DRAWING	
-		-		SCALE	
-		-		4:1	
-		-		SHEET	
-		-		1 of 1	
-		-		REV	
-		-		B	

AMP 1471-9 REV 31MM2000

569031

A