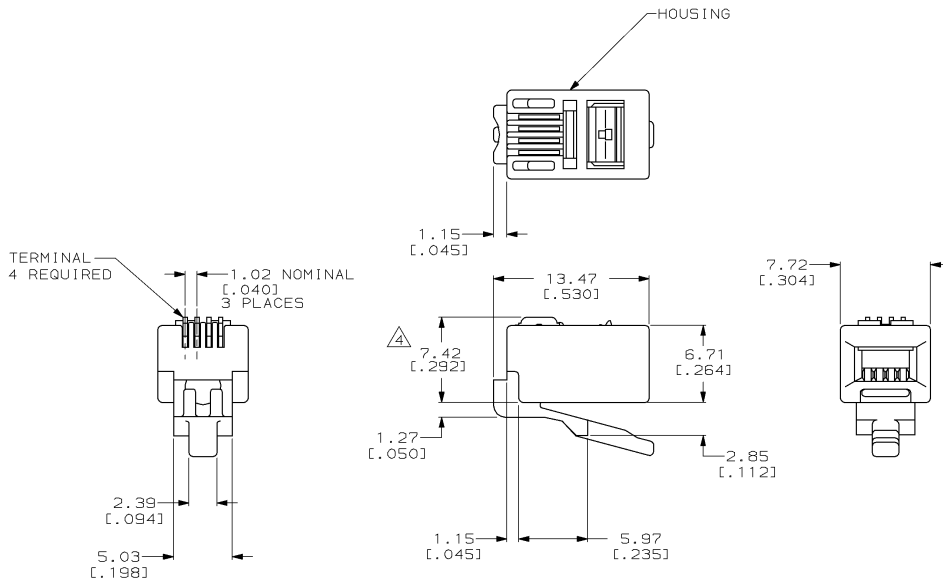


THIS DRAWING IS UNPUBLISHED. RELEASED FOR PUBLICATION .19
 © COPYRIGHT 19 BY AMP INCORPORATED. ALL INTERNATIONAL RIGHTS RESERVED.

LOC	DIST	P	F	ZONE	LTR	DESCRIPTION	DATE	APPD
AA	22			A		REV PER EC0210-0564-93	4-4-94	J6 NL

- ⚠ DIMENSIONS ARE MAXIMUM UNLESS OTHERWISE SPECIFIED.
- ⚠ MATERIAL: HOUSING-POLYCARBONATE, CLEAR. TERMINAL-0.36[.014] THICK PHOSPHOR BRONZE PLATED WITH 1.27μm[.000050] THICK GOLD IN LOCALIZED GOLD PLATE AREA. GOLD FLASH OVER THE REMAINDER, OVER 2.54μm[.000100] THICK NICKEL UNDERPLATE.
- 3. PLUG WILL ACCEPT 24 OR 26 AWG SOLID WIRE HAVING A MAXIMUM INSULATION DIAMETER OF 0.99[.039] WITH AN OVAL CABLE JACKET OF 2.29 X 6.61 [.090 X .260] MAXIMUM.
- ⚠ TERMINATED DIMENSION 6.15[.242] MAXIMUM.
- ⚠ PACKAGED 1000 LOOSE PIECES PER CARTON.



		PACKAGED	5-556200-2	
		PART NO		
DO NOT SCALE PRINT. UNLESS SPECIFIED DIMENSIONS IN mm [INCHES] TOLERANCES ON: 2 PLC DEC # - 3 PLC DEC # - ANGLES # -		DR 4-4-94 J GALLUCCI/UTA		
MATERIAL		CHK 4-9-94 N. JONES		
FINISH		APPD 4-28-94 E. LAURER		
		PRODUCT SPEC 108-1163		
		APPLICATION SPEC 114-6016	SIZE C	CAGE CODE 00779
		WEIGHT	SCALE 4:1	DRAWING NO C=556200
				SHEET 1 OF 1

THIS DRAWING IS A CONTROLLED DOCUMENT FOR AMP INCORPORATED. IT IS SUBJECT TO CHANGE AND THE CONTROLLING ENGINEERING ORGANIZATION SHOULD BE CONTACTED FOR THE LATEST REVISION.

AMP 1471-6 REV 3-92
 05-APR-94 00:51:33 ja0509 /cod/amp/dept2420/021/93-564

CUSTOMER DRAWING

556200