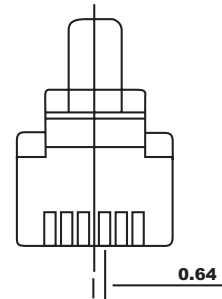
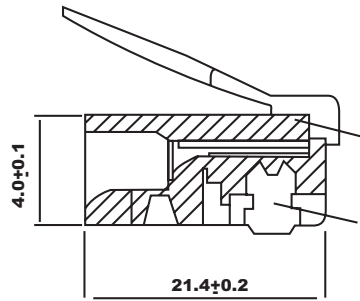
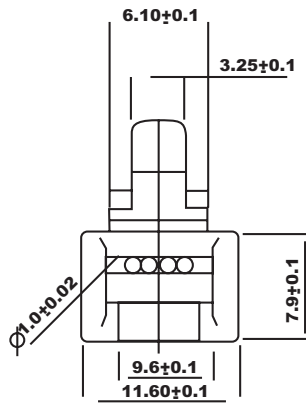


1 2 3 4

A

A

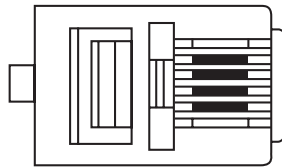


B

B

C

C



Description	
Name:	A-MO-8_8-SF-R
	Modular Plug 8P8C Unshield
	6u"

No.	Part/Name	Material
1	Housing	PC Teijin L-1250Y 94V-2
2	Contact	Phosphor Bronze Gold Plated

D

D

THIS DRAWING IS UNPUBLISHED
 © Copyright 2005 by Assmann Electronic Components All International Rights Reserved
 This drawing is a controlled document for Assmann Electronics, Inc. It is subject to change and the controlling engineering organization should be contacted for the latest revision.

1 2 3 4