

4

3

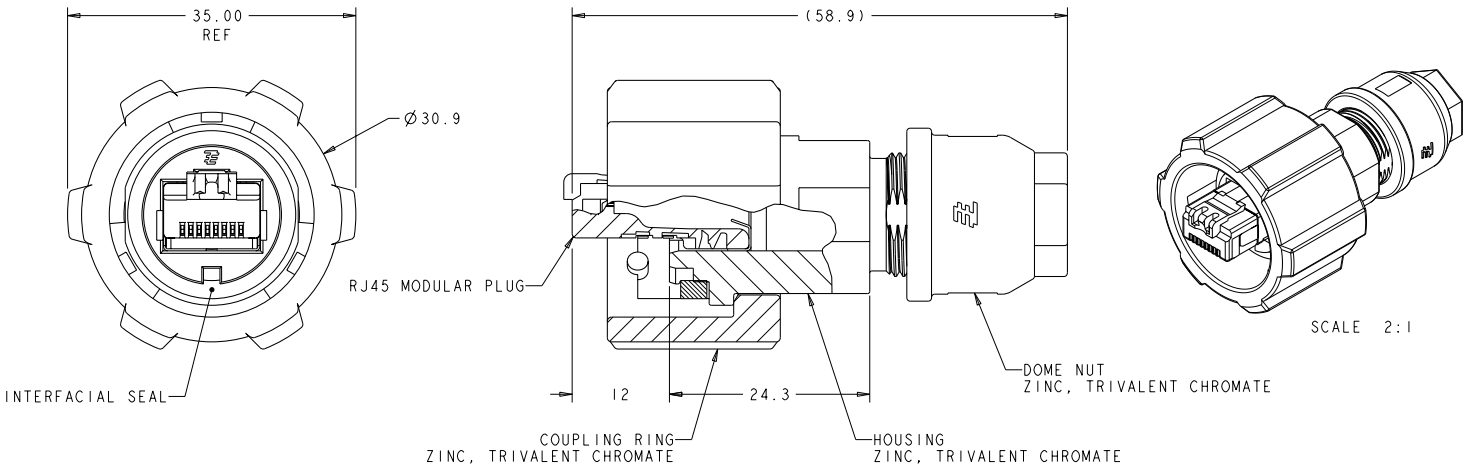
2

1

THIS DRAWING IS UNPUBLISHED. RELEASED FOR PUBLICATION BY TYCO ELECTRONICS CORPORATION. ALL RIGHTS RESERVED. COPYRIGHT 20

REVISONS		DATE	BY	APPD
P	LYA			
A2	REVISED PER ECO-11-004109	28FEB2011	HMR	MS

- 1. CABLE DIAMETER RANGE: $\varnothing 4.5 - \varnothing 7.9$
- \triangle 36.9 IN-LBS TORQUE RECOMMENDED FOR DOME NUT.
- \triangle INTERFACIAL SEAL IS SECURED TO HOUSING WITH ADHESIVE.
- \triangle MOD PLUG ASSEMBLY CABLE DIAMETER RANGE 4.83 [.190] TO 5.20 [.205].
- \triangle MOD PLUG ASSEMBLY CABLE DIAMETER RANGE 6.99 [.275] TO 7.87 [.310].



\triangle SOLID OR STRANDED	2008614-3
\triangle SOLID WIRE	2008614-2
STRANDED WIRE	2008614-1
WIRE TYPE	PART NUMBER

DIMENSIONS:		DATE: 26MAR2008		DRAWN: S. WELDON	
mm		DATE: 26MAR2008		CHECKED: C. HERTZLER	
OPERATION SPECIFICS:		DATE: 26MAR2008		APPROVED: C. HERTZLER	
0 PLC .01		PRODUCT SPEC:		NAME:	
1 PLC .02		108-2198		PLUG KIT, SHIELDED,	
2 PLC .03		APPLICATION SPEC:		INDUSTRIAL CIRCULAR ETHERNET	
3 PLC .05		114-13136		CONNECTOR	
4 PLC .08		WEIGHT:		SHEET: A2	
5 PLC .10		CUSTOMER DRAWING		CASE CODE: C=2008614	
ANGLES .0000		SCALE: 3:1		DRAWING NO: 2008614	
FINISH:		SHEET: 1 OF 1		RESTRICTED TO: A2	