

4

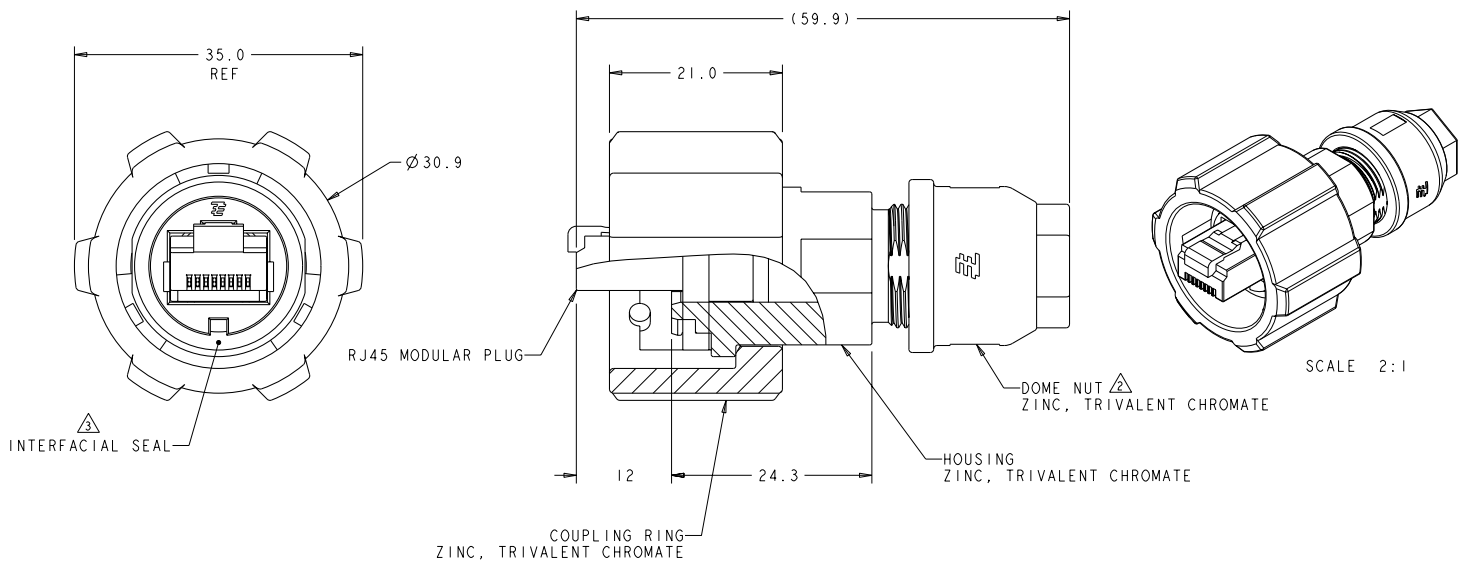
3

2

1

THIS DRAWING IS UNPUBLISHED. RELEASED FOR PUBLICATION BY TYCO ELECTRONICS CORPORATION. ALL RIGHTS RESERVED. COPYRIGHT 20

REVISIONS				
P	LY#	DESCRIPTION	DATE	BY
AI		REVISED PER ECO-09-010030	23MAY2009	SS MS



- 1. CABLE DIAMETER RANGE: $\varnothing 4.5 - \varnothing 6.9$
- Δ 36.9 IN-LBS TORQUE RECOMMENDED FOR DOME NUT.
- Δ INTERFACIAL SEAL IS SECURED TO HOUSING WITH ADHESIVE.

SOLID WIRE	2008611-2
STRANDED WIRE	2008611-1
WIRE TYPE	PART NUMBER

TYCO ELECTRONICS CORPORATION		OWN	26MAR2008	Tyco Electronics	
S. WELDON		CC	26MAR2008	Harrisburg, PA 17105-3608	
C. HERTZLER		APPRO	26MAR2008	Tyco Electronics	
C. HERTZLER		NAME		PLUG KIT, UNSHIELDED, INDUSTRIAL CIRCULAR ETHERNET CONNECTOR	
108-2198		PRODUCT SPEC		RESTRICTED TO	
114-13136		APPLICATION SPEC		SHEET	CASE CODE
		WEIGHT		A200779	C=2008611
		CUSTOMER DRAWING		SCALE	3:1
				SHEET	1 OF 1
				REV	A1

AMP 1471-9 REV 31MAR2000
Pro/ENGINEER DRAWING