

4

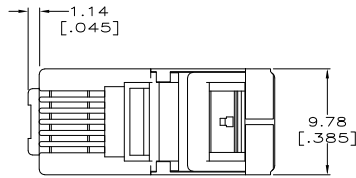
3

2

1

THIS DRAWING IS UNPUBLISHED. RELEASED FOR PUBLICATION.
 © COPYRIGHT BY TYCO ELECTRONICS CORPORATION. ALL INTERNATIONAL RIGHTS RESERVED.

LOC	DIST	REVISIONS		
F	LWR	DESCRIPTION	DATE	BY
HM	00	H	REV: EDO-08-020668	27AUG08
				GC BM



△ MATERIAL: HOUSING - POLYCARBONATE, CLEAR.
 TERMINAL - 0.36[.014] THICK PHOSPHOR BRONZE PLATED WITH 1.27 μ m[.000050] THICK GOLD IN LOCALIZED GOLD PLATE AREA, GOLD FLASH OVER THE REMAINDER, OVER 2.54 μ m[.000100] THICK NICKEL UNDERPLATE.
 SHIELD - 0.25[.010] THICK COPPER ALLOY, SATIN NICKEL PLATED.

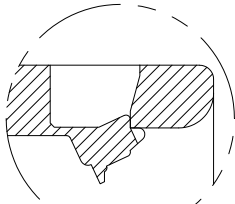
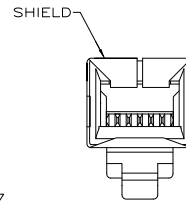
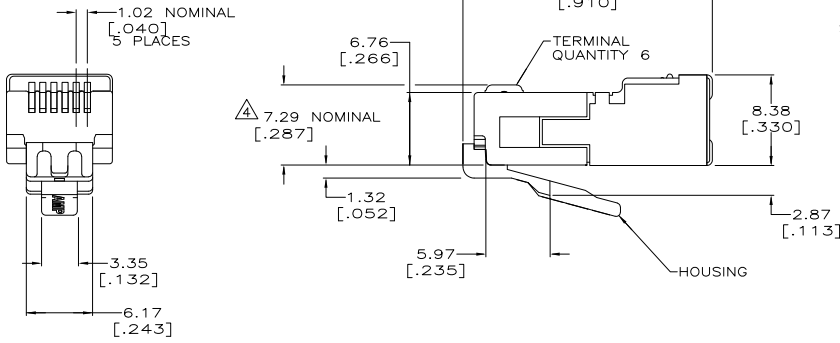
2. ALL DIMENSIONS SHOWN ARE MAXIMUM UNLESS OTHERWISE SPECIFIED.

3. PLUG WILL ACCEPT 0.74-0.99[.029-.039] DIAMETER STRANDED WIRE, 26 OR 28 AWG, WITH A .110 x .270 MAXIMUM JACKET.

△ TERMINATED DIMENSION: 6.15[.242] MAXIMUM.

△ LATCH SHALL BE IN POSITION SHOWN IN DETAIL "A" AFTER CRIMPING.

△ 500 ASSEMBLIES PER PACKAGE.



△ DETAIL A
 LATCH POSITION AFTER CRIMPING
 SCALE 10:1

LEAD FREE

△	LOOSE PIECE	5-555174-2
PACKAGED	DESCRIPTION	PART NUMBER

THIS DRAWING IS A CONTROLLED DOCUMENT.		DNW	11 MAR 87	Tyco Electronics Corporation	
		GR	16 MAR 87	Harrisburg, PA 17105-3608	
		SOB	31 MAR 87	Tyco Electronics	
		APD		NAME	
		LOCN		MODULAR PLUG ASSEMBLY,	
		PROD		6 POSITION, LONG BODY, SHIELDED,	
		APPL		FLAT OVAL CABLE, STRANDED WIRE	
		WEIGHT		RESTRICTED TO	
		SCALE	4:1	H	
		SHEET	1 of 1		

1471-9 (1/08)

555174