

4

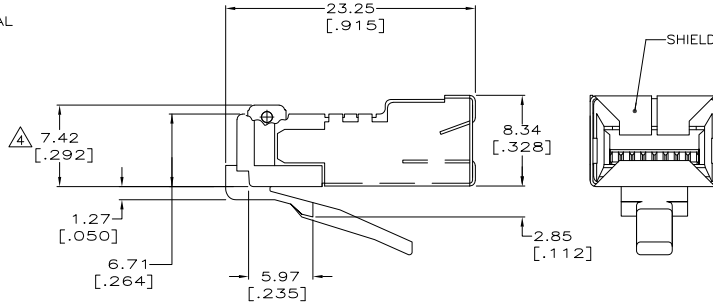
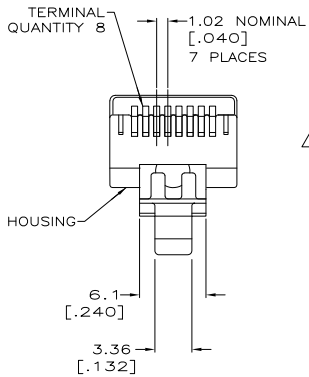
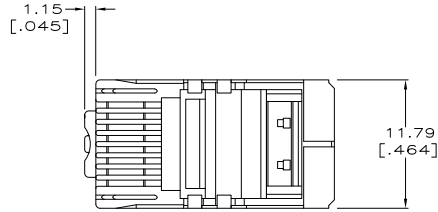
3

2

1

THIS DRAWING IS UNPUBLISHED. RELEASED FOR PUBLICATION. ALL RIGHTS RESERVED.

LOC	DIST	REVISIONS		
F	LNK	DESCRIPTION	DATE	BY
HM	00			
	D1	REVISED PER ECO-11-005033	11MAR11	RK HMR



- ⚠ DIMENSIONS ARE MAXIMUM UNLESS OTHERWISE SPECIFIED.
- ⚠ MATERIAL: HOUSING - POLYCARBONATE, CLEAR TERMINAL - PHOSPHOR BRONZE, PLATED WITH 1.27µm [.000050] MINIMUM THICK GOLD IN LOCALIZED GOLD PLATE AREA, GOLD FLASH OVER THE REMAINDER, OVER 2.54µm [.000100] MINIMUM THICK NICKEL UNDERPLATE. SHIELD - COPPER ALLOY WITH 1.27µm [.000050] MINIMUM SEMI-BRIGHT (SATIN) NICKEL.
- 3. PLUG WILL ACCEPT 24 TO 28 AWG STRANDED WIRE, 0.74-0.99 [.029-.039] DIAMETER, WITH A 2.80 X 9.02 [.110 X .355] MAXIMUM JACKET.
- ⚠ TERMINATED DIMENSION 6.15 [.242] MAXIMUM.
- ⚠ 500 ASSEMBLIES PER PACKAGE.
- ⚠ 100 ASSEMBLIES PER PACKAGE.
- ⚠ 25 ASSEMBLIES PER PACKAGE.

⚠	5-569542-4
⚠	5-569542-3
⚠	5-569542-2
PACKAGED	PART NUMBER

DIMENSIONS		TOLERANCES UNLESS OTHERWISE SPECIFIED		APPROVED		DATE		NAME	
mm	[INCHES]	PLC	FINISH	DRW	CHK	10-10-95	10-30-95	11-6-95	
0 PLC	*	*	⚠	S. CARRETT	C. WHITT				
1 PLC	*	*	⚠						
2 PLC	*	*	⚠						
3 PLC	*	*	⚠						
4 PLC	*	*	⚠						
ANGLES	*	*	⚠						
MATERIAL	-	⚠	⚠						
FINISH	-	⚠	⚠						

TE Connectivity

MODULAR PLUG ASSEMBLY, 8 POSITION, SHIELDED, FLAT OVAL CABLE, STRANDED WIRE

SIZE	ONE CODE	DRAWING NO	RESTRICTED TO
A2	00779	C-569542	-

SCALE 4:1 SHEET 1 of 1 REV D1

1471-9 (3/11)

569542

A