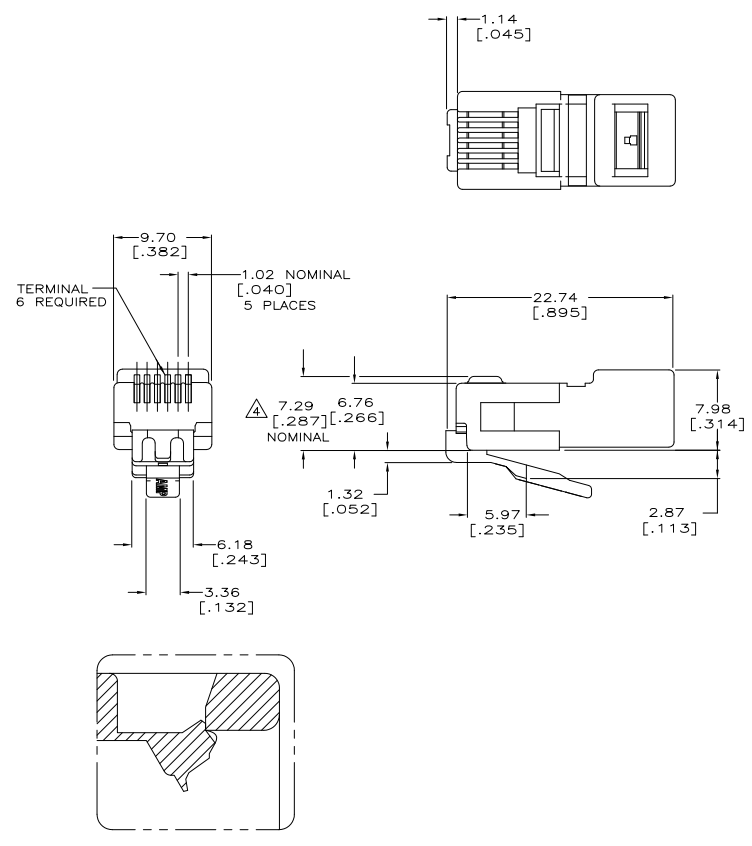
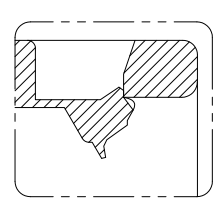
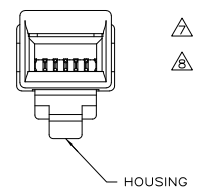


THIS DRAWING IS UNPUBLISHED. RELEASED FOR PUBLICATION  
 © COPYRIGHT BY TYCO ELECTRONICS CORPORATION. ALL RIGHTS RESERVED.

LIC		DST		REVISIONS			
HM	00	P	LW	DESCRIPTION	DATE	OWN	APP
		J		REV ECO-08-020668	27AUG08	GG	BM



- ⚠ MATERIAL: HOUSING—POLYCARBONATE, CLEAR  
 TERMINAL—.014 THICK PHOSPHOR BRONZE, PLATED  
 WITH 1.27μm [.000050] MINIMUM THICK  
 GOLD IN LOCALIZED GOLD PLATE AREA,  
 GOLD FLASH OVER THE REMAINDER, OVER  
 2.54μm [.000100] MINIMUM THICK NICKEL  
 UNDERPLATE.
- 2. ALL DIMENSIONS SHOWN ARE MAXIMUM UNLESS  
 OTHERWISE SPECIFIED.
- 3. PLUG WILL ACCEPT 0.737[.029] - 0.99[.039] DIAMETER  
 STRANDED WIRE, 26 OR 28 AWG WITH A 2.29 [.090] X  
 6.60 [.260] JACKET.
- ⚠ TERMINATED DIMENSION 6.15 [.242]  
 MAXIMUM.
- ⚠ LATCH SHALL BE IN POSITION SHOWN IN DETAIL A  
 AFTER CRIMPING.
- ⚠ 500 ASSEMBLIES PER PACKAGE.
- ⚠ 100 ASSEMBLIES PER PACKAGE.



⚠	5-555176-3
⚠	5-555176-2
PACKAGED	PART NO

THIS DRAWING IS A CONTROLLED DOCUMENT.		DM	L HALL	13DEC2007	Tyco Electronics Corporation Harrisburg, PA 17105-3608
DIMENSIONS: mm [INCHES]		DR	S MCNEILL	13DEC2007	
TOLERANCES UNLESS OTHERWISE SPECIFIED:		APP	S MCNEILL	13DEC2007	MODULAR PLUG ASSEMBLY, 6 POSITION, LONG BODY FLAT OVAL CABLE
Ø P/PC ± .010		SIZE	A2	00779	
H P/PC ± .010		CASE CODE	C=555176		RESTRICTED TO
M P/PC ± .010		WEIGHT			REV J
FINISH		CUSTOMER DRAWING	SCALE 4:1		SHEET 1 of 1

AMP 1471-9 REV 31MAR2000