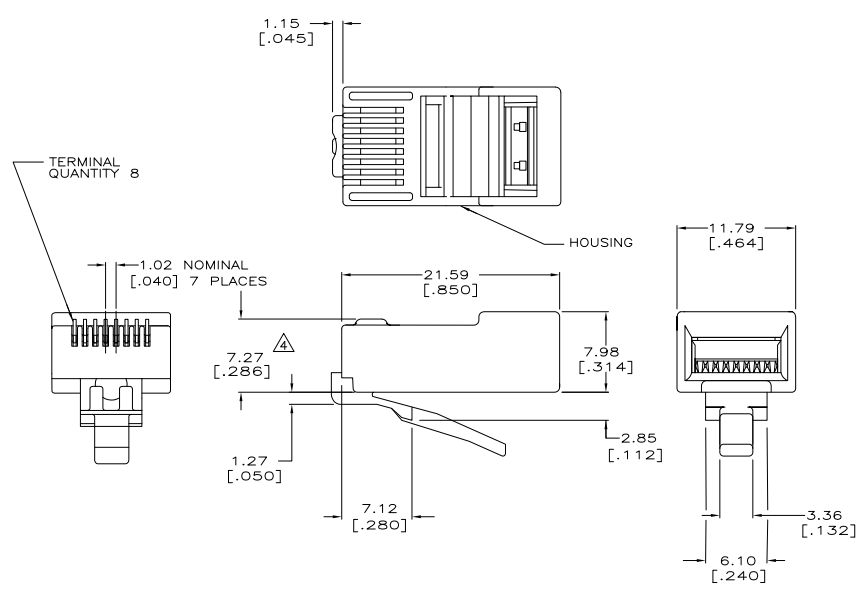


THIS DRAWING IS UNPUBLISHED. RELEASED FOR PUBLICATION
 © COPYRIGHT BY TYCO ELECTRONICS CORPORATION. ALL RIGHTS RESERVED.

LOC	QTY	REVISIONS			
		REV	DESCRIPTION	DATE	BY
HM	00	B	ECD-06-021606	13OCT06	JM CD
		C	REV ECD-08-004864	29FEB08	LH BM

- ⚠ DIMENSIONS ARE MAXIMUM UNLESS OTHERWISE SPECIFIED.
- ⚠ MATERIAL: HOUSING- POLYCARBONATE BLUE. TERMINAL- PHOSPHOR BRONZE, PLATED WITH 1.27μm [.000050] MINIMUM THICK GOLD IN LOCALIZED GOLD PLATE AREA, GOLD FLASH ON THE REMAINDER, OVER 2.54μm [.000100] MINIMUM THICK NICKEL UNDERPLATE.
- 3. PLUG WILL ACCEPT 26 OR 28 AWG SOLID WIRE, 0.74-0.86 [.029-.034] DIAMETER, WITH AN OVAL CABLE JACKET OF 2.29 X 8.77 [.090 X .345] MAXIMUM.
- ⚠ TERMINATED DIMENSION 6.15 [.242] MAXIMUM.
- ⚠ 1000 ASSEMBLIES PER PACKAGE.
- ⚠ 100 ASSEMBLIES PER PACKAGE.



⚠	5-557972-3
⚠	5-557972-2
⚠	PACKAGED PART NO.

THIS DRAWING IS A CONTROLLED DOCUMENT.		DR S. SIMPSON 6-9-93	Tyco Electronics Corporation	
DIMENSIONS: mm (inches)		DK C. WHITT 6-17-93	Harrisburg, PA 17105-3608	
TOLERANCES UNLESS OTHERWISE SPECIFIED:		AWO HAWKINS/MCGRATH 8-21-93	MODULAR PLUG ASSEMBLY, 8 POSITION, LINE, SMALL CONDUCTOR, SOLID WIRE	
0 P/LC ± .010	1 P/LC ± .010	PRODUCT SPEC: 108-1163	SIZE A2	SCALE 4:1
2 P/LC ± .010	3 P/LC ± .010	APPLICATOR SPEC: 114-6016	CASE CODE 00779	SHEET 1 of 1
MATERIAL 2	FINISH 2	WEIGHT -	DRAWING NO C=557972	REV C
CUSTOMER DRAWING		RESTRICTED TO		

AMP 1471-9 REV 31MAR2000