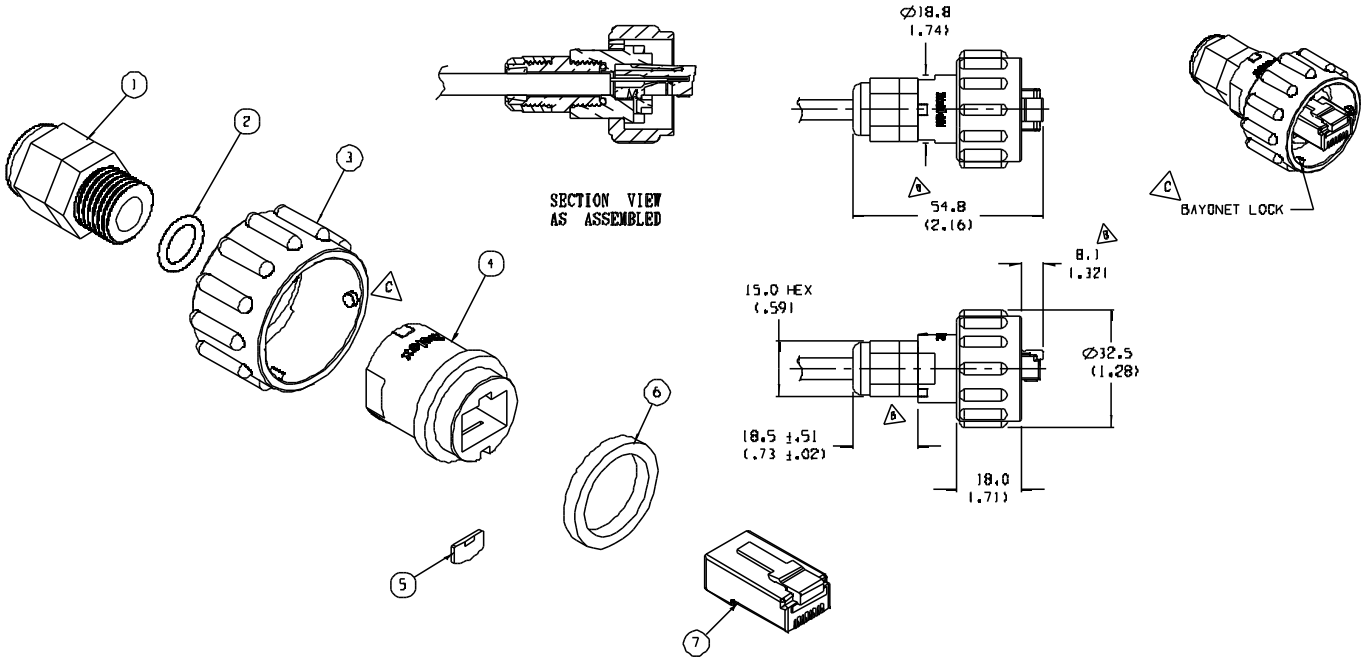


Thursday, December 18, 2003 10:34:42

SD-B4700-0002



ITEM	QTY.	DESCRIPTION	MATERIAL	FINISH
7	1	RJ-45 PLUG, LONG BODY, SHIELDED		
6	1	GASKET SEAL	NITRILE	
5	1	RETAINER WEDGE	POLYESTER	BLACK
4	1	PLUG HOLDER	POLYESTER	BLACK
3	1	COUPLING RING	POLYESTER	BLACK
2	1	O-RING	NITRILE	
1	1	CABLE SEAL ASSY.	PA, TPE GLAND	BLACK

EC NO: 11470 DRWN: RK (2-11-02) CHKT: [ ] APPR: [ ]	QUALITY SYMBOLS MAJOR CRITICAL SPEC	GENERAL TOLERANCES UNLESS SPECIFIED 1 PLACES ±.0015 2 PLACES ±.038 ±.009 3 PLACES ±.13 ±.01 1 PLACE ±.3	SCALE 1.5:1 DESIG UNITS [ ] mm [X] INCH DRAWN BY & DATE R. STONE 5-14-02 CHECKED BY & DATE S. BILBERT 5-14-02 APPROVED BY & DATE G. ROBERTSON 5-14-02	PROJECT NO. C-020 DIMENSIONS: [X] mm [ ] INCH [ ] INCH ONLY [ ] INCH ONLY THIRD ANGLE PROJECTION	SHEET NO. 1 OF 1 REV [ ]
		ANGLE: 12° CAD FILENAME SD-B4700-0002 DRAWN HERE APPLICABLE MUST REMAIN WITHIN DIMENSIONS	TITLE: PLUG, RJ45, FIELD WIRED CIC INDUSTRIAL ETHERNET MOLEX INCORPORATED	MATERIAL NO. B47000002 DRAWING NO. SD-B4700-0002	SHEET NO. 1 OF 1 SIZE B