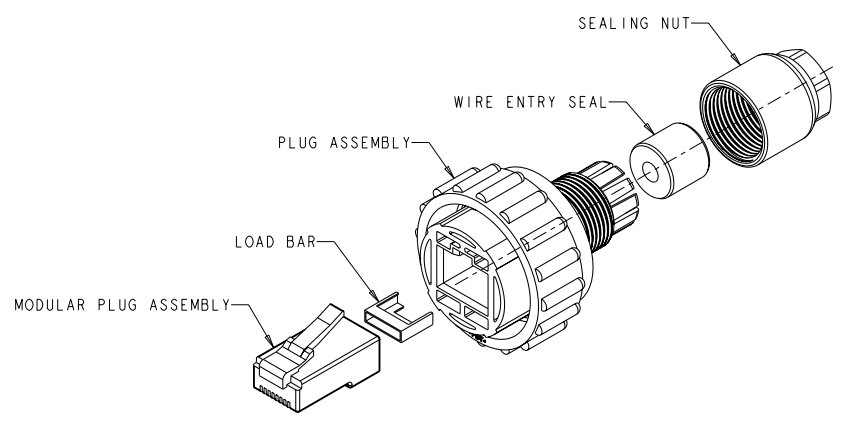
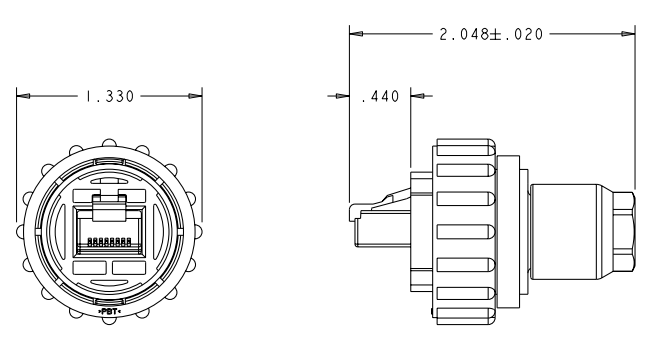


THIS DRAWING IS UNPUBLISHED. RELEASED FOR PUBLICATION
 BY TYCO ELECTRONICS CORPORATION. ALL RIGHTS RESERVED.

REV	DATE	BY	CHKD	APPROV
A	08MAR2004	SW	HW	
B	25APR2007	SW	MS	



1. PARTS PACKAGED UNASSEMBLED.
2. CABLE DIAMETER RANGE: .180[4.6]-.236[6.0].



ASSEMBLED VIEW

STRANDED	1546876-2
SOLID	1546876-1
WIRE TYPE	PART NUMBER

<small>TOP DIMENSIONS ARE CONTROLLING DIMENSIONS FOR THE ELECTRICAL CONNECTION POINTS. DIMENSIONS IN PARENTHESES ARE FOR THE LOCAL REVISED DIMENSIONS.</small>		DWN: 08MAR2004 CDR: S. WELDON APPR: H. WAKEEM PART: 08MAR2004	Tyco Electronics Harrisburg, PA 17105-3608
DIMENSIONS: INCHES	TOLERANCES UNLESS OTHERWISE SPECIFIED: 0 PLC .01 1 PLC .005 2 PLC .003 3 PLC .002 4 PLC .001 ANGLES .0005	NAME: 08MAR2004 PRODUCT SPEC: APPLICATION SPEC: WEIGHT: MATERIAL:	SHEET: A2 CASE CODE: 00779 DRAWING NO: 1546876 RESTRICTED TO:
CUSTOMER DRAWING		SCALE: 2:1	SHEET: 1 OF 1 REV: B