

4

3

2

1

THIS DRAWING IS UNPUBLISHED. RELEASED FOR PUBLICATION. ALL RIGHTS RESERVED.

LOC	DIST	REVISIONS		
F	LR	DESCRIPTION	DATE	BY
HM	00			
	E1	REVISED PER ECO-11-005033	21MAR11	RK HMR

△ DIMENSIONS ARE MAXIMUM UNLESS OTHERWISE SPECIFIED.

△ MATERIAL: HOUSING - POLYCARBONATE, CLEAR
TERMINAL - PHOSPHOR BRONZE, PLATED WITH 1.27µm [.000050] MINIMUM THICK GOLD IN LOCALIZED GOLD PLATE AREA, GOLD FLASH OVER THE REMAINDER, OVER 2.54µm [.000100] MINIMUM THICK NICKEL UNDERPLATE.
SHIELD - COPPER ALLOY WITH 1.27µm [.000050] MINIMUM SEMI-BRIGHT (SATIN) NICKEL.

3. PLUG WILL ACCEPT 24 TO 28 AWG STRANDED WIRE, 0.74-0.99 [.029-.039] DIAMETER, WITH A 5.08 [.200] DIAMETER MAXIMUM JACKET.

△ TERMINATED DIMENSION 6.15 [.242] MAXIMUM.

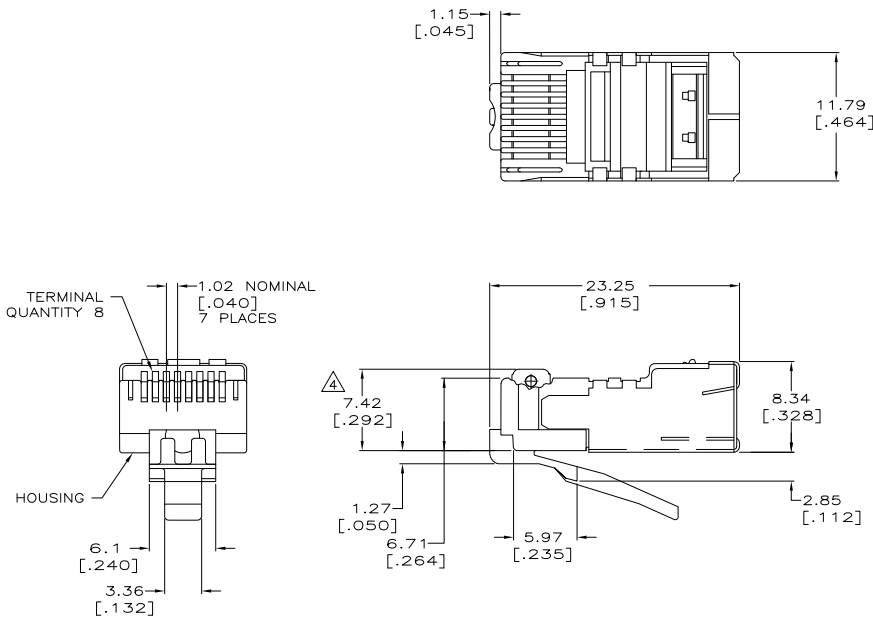
△ 500 ASSEMBLIES PER PACKAGE.

△ 100 ASSEMBLIES PER PACKAGE.

△ 25 ASSEMBLIES PER PACKAGE.

△ SEE RESTRICTED CUSTOMER DRAWING 5-569532-5.

△ PACKAGED 10,000 ASSEMBLIES PER POLYBAG.



△	5-569532-5
△	5-569532-4
△	5-569532-3
△	5-569532-2
△	5-569532-1
△	PART NUMBER

DIMENSIONS		TOLERANCES UNLESS OTHERWISE SPECIFIED		APPROVED		TE Connectivity	
mm	[INCHES]	PLC	FINISH	DATE	BY	SIZE	ONE CODE (DRAWING NO)
		0 PLC	△	200C12008	L. HALL	A2	00779
		1 PLC	△	300C12008	C. DOOLEY		
		2 PLC	△		C. DOOLEY		
		3 PLC	△				
		4 PLC	△				
		ANGLES	△				
		FINISH	△				
MATERIAL				CUSTOMER DRAWING		SCALE 4:1 SHEET 1 of 1 REV E1	