

4

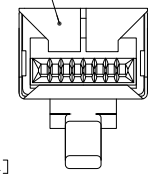
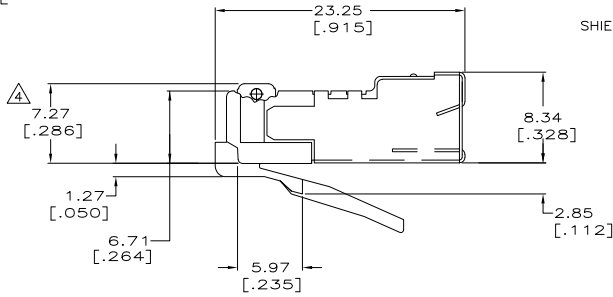
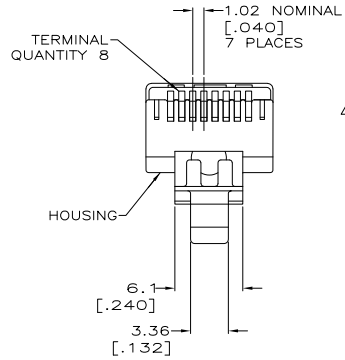
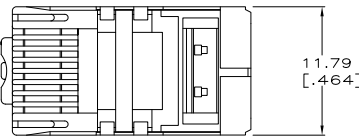
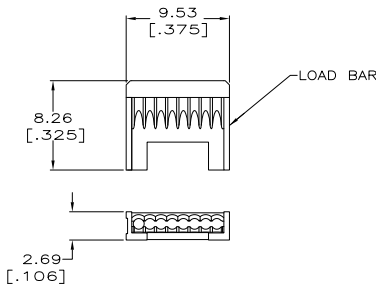
3

2

1

THIS DRAWING IS UNPUBLISHED. RELEASED FOR PUBLICATION. ALL RIGHTS RESERVED.

LOC	DIST	REVISIONS			
F	LNK	DESCRIPTION	DATE	BY	APPD
F1		REVISED PER ECO-11-005033	21MAR11	RK	HMR



- ⚠ DIMENSIONS ARE MAXIMUM UNLESS OTHERWISE SPECIFIED.
- ⚠ MATERIAL:
HOUSING - 94V-0 RATED POLYCARBONATE, CLEAR
TERMINAL - PHOSPHOR BRONZ, PLATED WITH 1.27μm [.000050] MINIMUM THICK GOLD IN LOCALIZED GOLD PLATE AREA, GOLD FLASH OVER THE REMAINDER, OVER 2.54μm [.000100] MINIMUM THICK NICKEL UNDERPLATE.
SHIELD - COPPER ALLOY WITH 1.27μm [.000050] MINIMUM SEMI-BRIGHT(SATIN) NICKEL.
LOAD BAR - PBT POLYESTER, BLACK.
- 3. PLUG WILL ACCEPT A 24 OR 26 SOLID CONDUCTOR, PROVIDED THE INSULATED CONDUCTOR DIAMETER IS 0.89 [.035] TO 0.99 [.039] WITH A SHIELDED, PLIABLE, LOOSE CABLE JACKET OF 4.83 [.190] TO 5.21 [.205] DIAMETER OR A SHIELDED, RIGID, HARD CABLE JACKET OF 4.83 [.190] TO 5.08 [.200] DIAMETER.
- ⚠ TERMINATED DIMENSION 6.15 [.242] MAXIMUM.
- ⚠ 500 ASSEMBLIES AND 500 LOAD BARS PER PACKAGE.
- ⚠ 100 ASSEMBLIES AND 100 LOAD BARS PER PACKAGE.
- ⚠ 25 ASSEMBLIES AND 25 LOAD BARS PER PACKAGE.
- ⚠ UL RECOGNIZED: FILE NUMBER E81956

SUPSD BY 5-569550-2	5-569550-4
	5-569550-3
	5-569550-2
PACKAGED	PART NUMBER

THIS DRAWING IS A CONTROLLED DOCUMENT.		DRN S. CARRETT 10-11-95	
DIMENSIONS mm [INCHES]		CHK C. WHITT 10-31-95	
TOLERANCES UNLESS OTHERWISE SPECIFIED		APPD E. LAURER 11-7-95	NAME
0 PLC	±	PRODUCT SPEC	108-1163
1 PLC	±	APPLICATION SPEC	114-6053
2 PLC	±	WEIGHT	-
3 PLC	±	SIZE	A2
4 PLC	±	ONE CODE DRAWING TO	00779
ANGLES	±	RESTRICTED TO	C=569550
FINISH	-	CUSTOMER DRAWING	SCALE 4:1 SHEET 1 of 1 REV F1

1471-9 (3/11)

569550

A