

4

3

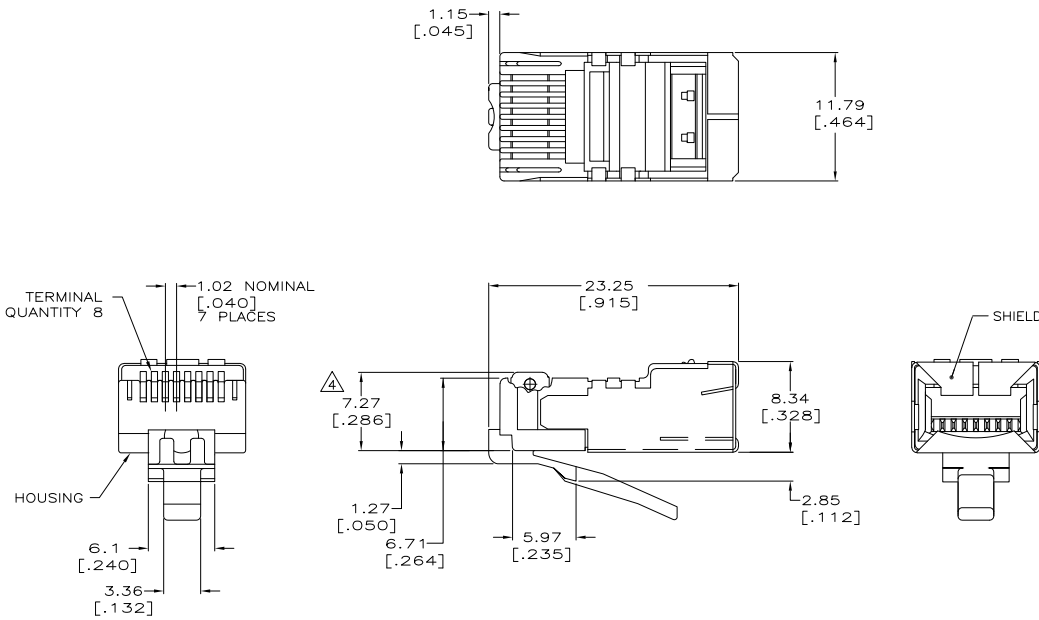
2

1

THIS DRAWING IS UNPUBLISHED. RELEASED FOR PUBLICATION. ALL RIGHTS RESERVED.

LOC	DIST	REVISIONS					
HM	00	F	LNK	DESCRIPTION	DATE	BY	APP'D
		D1		REVISED PER ECO-11-005033	21MAR11	RK	HMR

- ⚠ DIMENSIONS ARE MAXIMUM UNLESS OTHERWISE SPECIFIED.
- ⚠ MATERIAL: HOUSING - POLYCARBONATE, CLEAR
TERMINAL - PHOSPHOR BRONZE, PLATED WITH 1.27µm [.000050] MINIMUM THICK GOLD IN LOCALIZED GOLD PLATE AREA, GOLD FLASH OVER THE REMAINDER, OVER 2.54µm [.000100] MINIMUM THICK NICKEL UNDERPLATE.
SHIELD - COPPER ALLOY WITH 1.27µm [.000050] MINIMUM SEMI-BRIGHT (SATIN) NICKEL.
- 3. PLUG WILL ACCEPT 24 OR 26 AWG SOLID WIRE, 0.74-0.99 [.029-.039] DIAMETER, WITH A 5.08 [.200] DIAMETER MAXIMUM JACKET.
- ⚠ TERMINATED DIMENSION 6.15 [.242] MAXIMUM.
- ⚠ 500 ASSEMBLIES PER PACKAGE.
- ⚠ 100 ASSEMBLIES PER PACKAGE.
- ⚠ 25 ASSEMBLIES PER PACKAGE.



⚠	5-569530-4
⚠	5-569530-3
⚠	5-569530-2
⚠	PACKAGED
⚠	PART NUMBER

THIS DRAWING IS A CONTROLLED DOCUMENT.		DRN	250C12008
DIMENSIONS:	mm [INCHES]	CHK	300C12008
TOLERANCES UNLESS OTHERWISE SPECIFIED:		C	DOOLEY
APPC		300C12008	NAME
0 PLG		*	
1 PLG		*	
2 PLG		*	
3 PLG		*	
4 PLG		*	
ANGLES		*	
FINISH		*	
MATERIAL	-	SIZE	ONE CODE DRAWING ID
		HEIGHT	-
		RESTRICTED TO	-
		CUSTOMER DRAWING	SCALE 4:1 SHEET 1 of 1 REV D1

TE Connectivity

MODULAR PLUG ASSEMBLY, 8 POSITION, SHIELDED, ROUND CABLE, SOLID WIRE

5-569530