

4

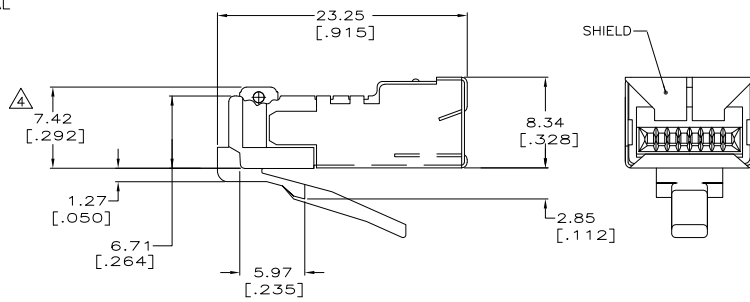
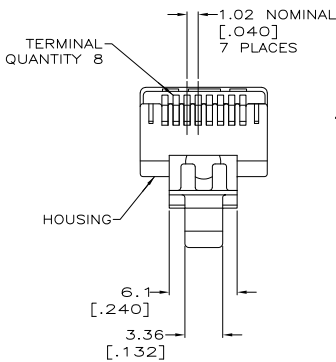
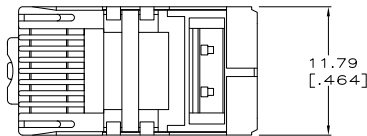
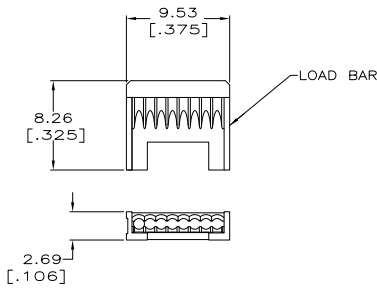
3

2

1

THIS DRAWING IS UNPUBLISHED. RELEASED FOR PUBLICATION. ALL RIGHTS RESERVED.

LOC	DIST	REVISIONS				
		REV	DESCRIPTION	DATE	BY	APP
HM	00	F	LR			
		E1	REVISED PER ECO-11-005033	21MAR11	RK	HMR



- ⚠ DIMENSIONS ARE MAXIMUM UNLESS OTHERWISE SPECIFIED.
- ⚠ MATERIAL: HOUSING - 94V-0 RATED POLYCARBONATE, CLEAR TERMINAL - PHOSPHOR BRONZE, PLATED WITH 1.27µm [.000050] MINIMUM THICK GOLD IN LOCALIZED GOLD PLATE AREA, GOLD FLASH OVER THE REMAINDER, OVER 2.54µm [.000100] MINIMUM THICK NICKEL UNDERPLATE. SHIELD - COPPER ALLOY WITH 1.27µm [.000050] MINIMUM SEMI-BRIGHT(SATIN) NICKEL. LOAD BAR - PBT POLYESTER, BLACK.
- 3. PLUG WILL ACCEPT A 24 OR 26 AWG STRANDED CONDUCTOR, PROVIDED THE INSULATED CONDUCTOR DIAMETER IS 0.89[.035] TO 0.99[.039] WITH A SHIELDED, PLIABLE, LOOSE CABLE JACKET OF 4.83[.190] TO 5.21[.205] DIAMETER OR A SHIELDED, RIGID, HARD CABLE JACKET OF 4.83[.190] TO 5.08[.200] DIAMETER.

- ⚠ TERMINATED DIMENSION 6.15 [.242] MAXIMUM.
- ⚠ 500 ASSEMBLIES AND 500 LOAD BARS PER PACKAGE.
- ⚠ 100 ASSEMBLIES AND 100 LOAD BARS PER PACKAGE.
- ⚠ 25 ASSEMBLIES AND 25 LOAD BARS PER PACKAGE.
- ⚠ UL RECOGNIZED: FILE NUMBER E81956.

⚠	5-569552-4
⚠	5-569552-3
⚠	5-569552-2
⚠	PACKAGED PART NUMBER

THIS DRAWING IS A CONTROLLED DOCUMENT.		DRN	S. CARRETT	10-12-95
		CHK	C. WHITT	10-31-95
		APP	F. LAURER	11-7-95
DIMENSIONS: mm(INCHES)		TOLERANCES UNLESS OTHERWISE SPECIFIED:		
0 PLG		#	⚠	
1 PLG		#	⚠	
2 PLG		#	⚠	
3 PLG		#	⚠	
4 PLG		#	⚠	
ANGLES		#	⚠	
FINISH		#	⚠	
MATERIAL	-	⚠		
CUSTOMER DRAWING		SIZE	A2	00779
		DATE	00779	569552
		SCALE	4:1	SHEET 1 of 1
		REV	E1	

TE Connectivity

MODULAR PLUG ASSEMBLY, 8 POSITION, SHIELDED, ROUND CABLE, STRANDED WIRE, HIGH PERFORMANCE