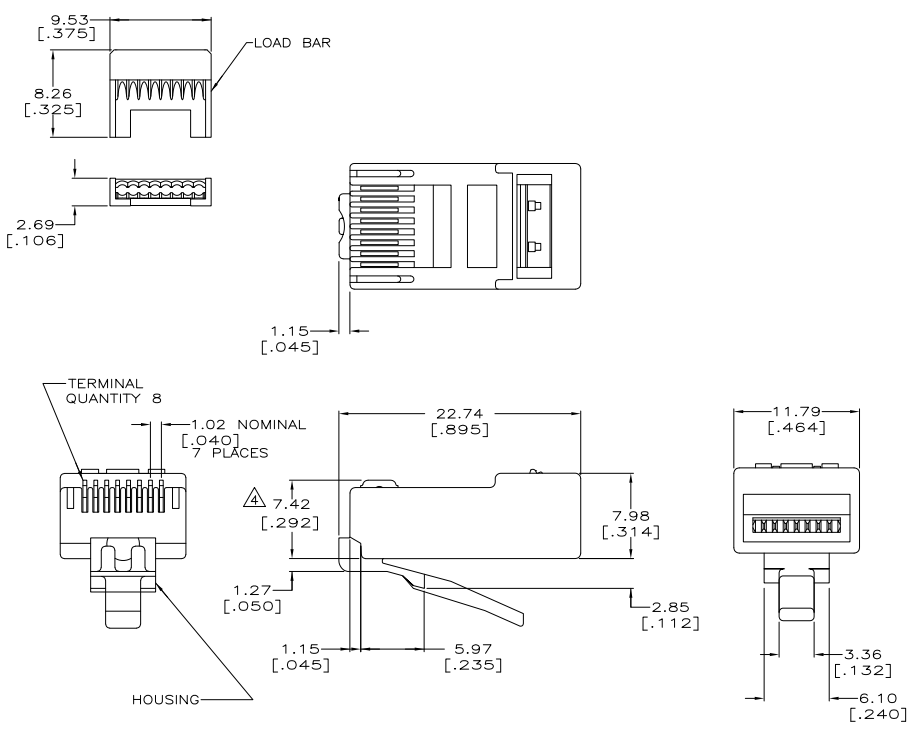


THIS DRAWING IS UNPUBLISHED. RELEASED FOR PUBLICATION. ALL RIGHTS RESERVED.

REV	DATE	DESCRIPTION	BY	APPD
F1	21MAR11	REVISED PER ECO-11-005033	RK	HMR



- ⚠ MATERIAL:  
HOUSING—94V-0 RATED POLYCARBONATE, CLEAR.  
TERMINAL—0.36[.014] THICK PHOSPHOR BRONZE PLATED WITH 1.27 $\mu$ m[.000050] MINIMUM THICK GOLD IN LOCALIZED AREA. GOLD FLASH OVER THE REMAINDER, OVER 2.54 $\mu$ m[.000100] MINIMUM THICK NICKEL UNDERPLATE.  
LOAD BAR - PBT POLYESTER, BLACK.
- ⚠ DIMENSIONS ARE MAXIMUM UNLESS OTHERWISE SPECIFIED.
- 3. PLUG WILL ACCEPT A 24 AWG STRANDED CONDUCTOR, PROVIDED THE INSULATED CONDUCTOR DIAMETER IS LESS THAN OR EQUAL TO 0.99 [.039]; WITH A MAXIMUM CABLE JACKET DIAMETER OF 5.59 [.220], MINIMUM 4.83 [.190].
- ⚠ TERMINATED DIMENSION 6.15[.242] MAXIMUM.
- ⚠ 500 ASSEMBLIES AND 500 LOAD BARS PER PACKAGE.
- ⚠ 100 ASSEMBLIES AND 100 LOAD BARS PER PACKAGE.
- ⚠ 25 ASSEMBLIES AND 25 LOAD BARS PER PACKAGE.
- ⚠ 10,000 ASSEMBLIES AND 10,000 LOAD BARS PER PACKAGE.
- 9. UL RECOGNIZED: FILE NUMBER E81956

⚠	5-558530-4
⚠	5-558530-3
⚠	5-558530-2
⚠	5-558530-1
PACKAGED	PART NUMBER

THIS DRAWING IS A CONTROLLED DOCUMENT.		DATE	BY	APPD
		5-31-94	W. WOOTEN	
		7-13-94	D. HUSSEY	
DIMENSIONS: mm[INCHES]		TOLERANCES UNLESS OTHERWISE SPECIFIED:		
⌀	± .015	FRACTIONAL SPEC		
⊥	± .015	108-1163		
⊥	± .015	APPLICATION SPEC		
⊥	± .015	114-6053		
MATERIAL	—	SIZE	CAGE CODE	DRAWING NO
—	—	A2	00779	©=558530
FINISH	—	WEIGHT		RESTRICTED TO
—	—			—
CUSTOMER DRAWING		SCALE	SHEET	REV
		4:1	1 of 1	F1