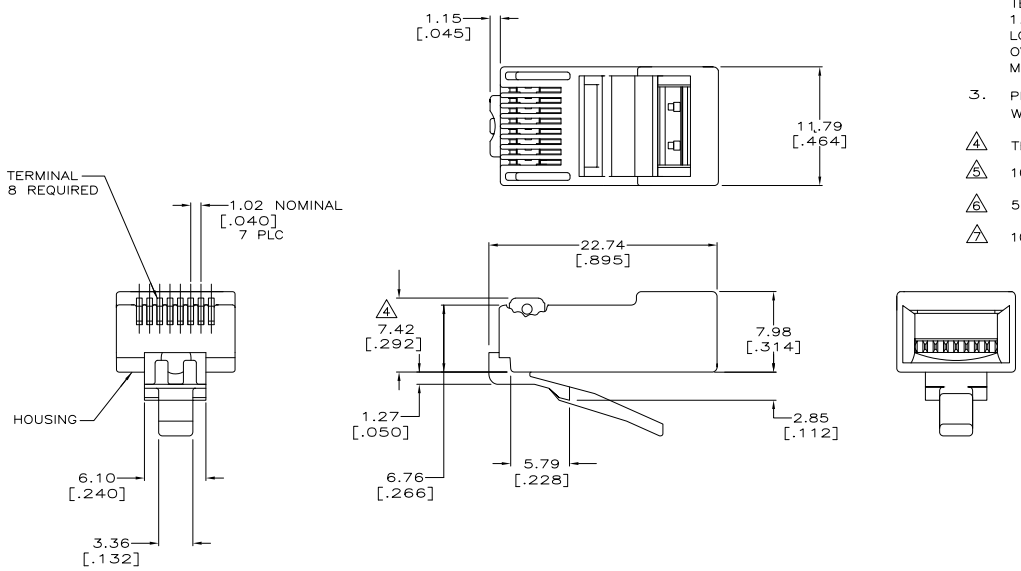


THIS DRAWING IS UNPUBLISHED. RELEASED FOR PUBLICATION
 © COPYRIGHT BY TYCO ELECTRONICS CORPORATION. ALL RIGHTS RESERVED.

LOC	DEPT	REVISIONS			
		REV	DESCRIPTION	DATE	BY
HM	00	B	ECD-06-021606	13OCT06	JM CD
		C	REV ECD-08-007212	31MAR08	LH BM

- ⚠ DIMENSIONS ARE MAXIMUM UNLESS OTHERWISE SPECIFIED.
- ⚠ MATERIAL: HOUSING- POLYCARBONATE, CLEAR TERMINAL- PHOSPHOR BRONZE, PLATED WITH 1.27μm [.000050] MINIMUM THICK GOLD IN LOCALIZED GOLD PLATE AREA, GOLD FLASH OVER THE REMAINDER, OVER 2.54μm [.000100] MINIMUM THICK NICKEL UNDERPLATE.
- 3. PLUG WILL ACCEPT 26 OR 28 AWG STRANDED WIRE, 0.74-0.99 [.029-.039] DIAMETER.
- ⚠ TERMINATED DIMENSION 6.15 [.242] MAXIMUM.
- ⚠ 10,000 ASSEMBLIES PER PACKAGE.
- ⚠ 500 ASSEMBLIES PER PACKAGE.
- ⚠ 100 ASSEMBLIES PER PACKAGE.



⚠	5-557961-3
⚠	5-557961-2
⚠	5-557961-1

THIS DRAWING IS A CONTROLLED DOCUMENT.		DR	4-22-93	Tyco Electronics Corporation	
DIMENSIONS: mm (inches)		S. SIMPSON	4-30-93	Harrisburg, PA 17105-3608	
TOLERANCES UNLESS OTHERWISE SPECIFIED:		C. WHITT	5-5-93	Tyco Electronics	
Ø	PLC	±	Δ	MODULAR PLUG ASSEMBLY	
Ø	PLC	±	Δ	8 POSITION, SMALL OPENING	
Ø	PLC	±	Δ	STRANDED WIRE, ROUND CABLE	
Ø	PLC	±	Δ	RESTRICTED TO	
MATERIAL	FINISH	WEIGHT	SCALE	SIZE	CASE CODE
-	-	-	CUSTOMER DRAWING	A2	00779
				DRAWING NO	557961
				SCALE	4:1
				SHEET	1 of 1
				REV	C

AMP 1471-9 REV 31MAR2000