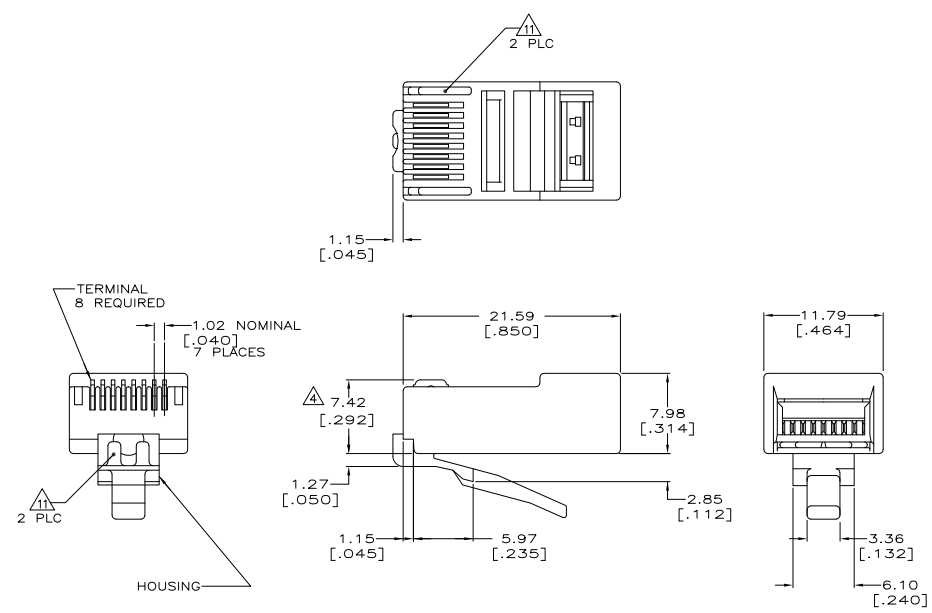


THIS DRAWING IS UNPUBLISHED. RELEASED FOR PUBLICATION. ALL RIGHTS RESERVED.

LOC	REV	DESCRIPTION	DATE	BY	APP
HM	00				
	P1	REVISED PER ECO-11-005033	21MAR11	RK	HMR



- ⚠ DIMENSIONS ARE MAXIMUM UNLESS OTHERWISE SPECIFIED.
- ⚠ MATERIAL: HOUSING—POLYCARBONATE, CLEAR. TERMINAL—0.36[.014] THICK PHOSPHOR BRONZE PLATED WITH 1.27 μ m[.000050] THICK GOLD IN LOCALIZED GOLD PLATE AREA, GOLD FLASH OVER THE REMAINDER, OVER 2.54 μ m[.000100] THICK NICKEL UNDERPLATE.
- 3. PLUG WILL ACCEPT 26 OR 28 AWG STRANDED WIRE HAVING A MAXIMUM INSULATION DIAMETER OF 0.89–0.99[.035–.039] AND A MAXIMUM OVAL CABLE JACKET OF 2.54 X 8.89[.100 X .350].
- ⚠ TERMINATED DIMENSION 6.15[.242] MAXIMUM.
- ⚠ 10,000 ASSEMBLIES PER PACKAGE.
- ⚠ 500 ASSEMBLIES PER PACKAGE.
- ⚠ 100 ASSEMBLIES PER PACKAGE.
- ⚠ 25 ASSEMBLIES PER PACKAGE.

⚠	5-554739-4
⚠	5-554739-3
⚠	5-554739-2
⚠	5-554739-1
⚠	554739-1
SUPSD BY 5-554739-2	
⚠	PACKAGED
⚠	PART NUMBER

THIS DRAWING IS A CONTROLLED DOCUMENT.

DIMENSIONS: (INCHES) TO MAXIMUM UNLESS OTHERWISE SPECIFIED: 0 PLC ± .010 1 PLC ± .005 2 PLC ± .002 3 PLC ± .001 4 PLC ± .0005 ANGLES ± .5°	FINISH: - ⚠	DWG: YEP/JTA 8-27-83 OK: C. WHITT 9-15-83 NAME: TONEY/MCCRATH 8-20-83 PRODUCT SPEC: 108-1163 APPLICATION SPEC: 114-6016 WEIGHT: - CUSTOMER DRAWING	DATE: 8-27-83 NAME: TONEY/MCCRATH PRODUCT SPEC: 108-1163 APPLICATION SPEC: 114-6016 WEIGHT: - CUSTOMER DRAWING	SIZE: A2 CASE CODE: 00779 DRAWING NO: 554739 SCALE: 4:1 SHEET: 1 of 1 REV: P1	TE TE Connectivity MODULAR PLUG ASSEMBLY, 8 POSITION, FLAT OVAL CABLE
--	----------------	--	---	--	---

1471-9 (3/11)