

4

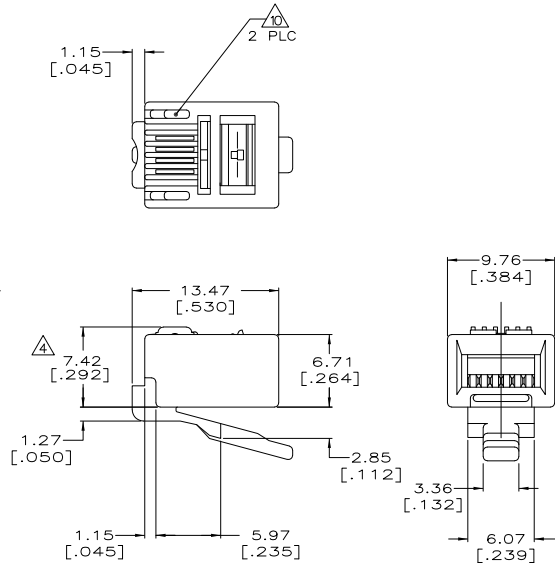
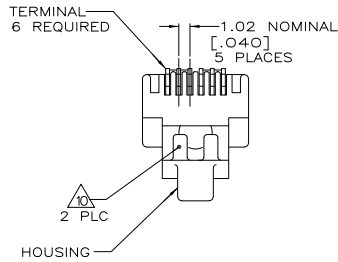
3

2

1

THIS DRAWING IS UNPUBLISHED. RELEASED FOR PUBLICATION. ALL RIGHTS RESERVED.

| LOC | DIST | REVISIONS                 |         |        |
|-----|------|---------------------------|---------|--------|
| F   | LNK  | DESCRIPTION               | DATE    | BY     |
| HM  | 00   | REVISED PER ECO-11-005033 | 21MAR11 | RK HMR |



- ⚠ DIMENSIONS ARE MAXIMUM UNLESS OTHERWISE SPECIFIED.
- ⚠ MATERIAL: HOUSING—POLYCARBONATE, CLEAR. TERMINAL—0.36[.014] THICK PHOSPHOR BRONZE PLATED WITH 1.27μm[.000050] THICK GOLD IN LOCALIZED GOLD PLATE AREA, GOLD FLASH OVER THE REMAINDER, OVER 2.54μm[.000100] THICK NICKEL UNDERPLATE.
- ⚠ PLUG WILL ACCEPT 26 OR 28 AWG STRANDED OR TINSEL WIRE HAVING AN INSULATION DIAMETER OF 0.89 - 0.99[.035 - .039] AND A MAXIMUM OVAL CABLE JACKET OF 2.29 x 6.61[.090 x .260].
- ⚠ TERMINATED DIMENSION 6.15[.242] MAXIMUM.
- ⚠ 10 ASSEMBLIES PER PACKAGE.
- ⚠ 10,000 ASSEMBLIES PER PACKAGE.
- ⚠ 1000 ASSEMBLIES PER PACKAGE.
- ⚠ 100 ASSEMBLIES PER PACKAGE.
- ⚠ 25 ASSEMBLIES PER PACKAGE.

SUPERSEDED BY 5-641337-4

SUPERSEDED BY 5-641337-2

|        |            |
|--------|------------|
| ⚠      | 6-641337-3 |
| ⚠      | 5-641337-4 |
| ⚠      | 5-641337-3 |
| ⚠      | 5-641337-2 |
| ⚠      | 5-641337-1 |
| ⚠      | 641337-1   |
| REELED | PACKAGED   |
| ⚠      | PART NO    |

| THIS DRAWING IS A CONTROLLED DOCUMENT. |   | DRW              | 9-3-93   | TE Connectivity                         |        |
|--|---|------------------|----------|---|--------|
| DIMENSIONS: mm [INCHES]                |   | YTP/MTA          | 9-15-93  | TE Connectivity                         |        |
| TOLERANCES UNLESS OTHERWISE SPECIFIED: |   | C. WHITE         | 9-20-93  | MODULAR PLUG ASSEMBLY, 6 POSITION, LINE |        |
| 0 PLC                                  | ± | J. LONEY         | NAME     | -                                       |        |
| 1 PLC                                  | ± | PRODUCT SPEC     | 108-1163 | -                                       |        |
| 2 PLC                                  | ± | APPLICATION SPEC | 114-6016 | SIZE                                    | A2     |
| 3 PLC                                  | ± | WEIGHT           | -        | CAGE CODE                               | 00779  |
| 4 PLC                                  | ± | CUSTOMER DRAWING | -        | DRAWING NO                              | 641337 |
| ANGLES                                 | ± | SCALE            | 4:1      | SHEET                                   | 1 of 1 |
| FINISH                                 | - | REV              | Y1       | RESTRICTED TO                           |        |

1471-9 (3/11)

641337

A