

4

3

2

1

THIS DRAWING IS UNPUBLISHED. RELEASED FOR PUBLICATION  
 © COPYRIGHT BY TYCO ELECTRONICS CORPORATION. ALL RIGHTS RESERVED.

LOC	DIST	REVISIONS		
F	LTR	DESCRIPTION	DATE	BY
HM	00			
	G	REV ECO-08-004066	21FEB08	LH BM

⚠ ALL DIMENSIONS SHOWN ARE MAXIMUM UNLESS OTHERWISE SPECIFIED.

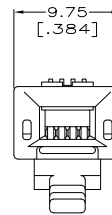
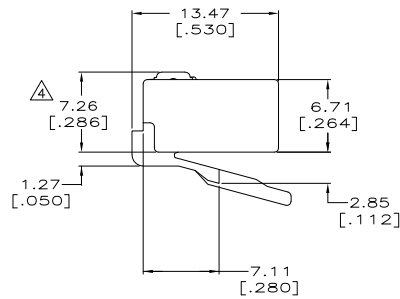
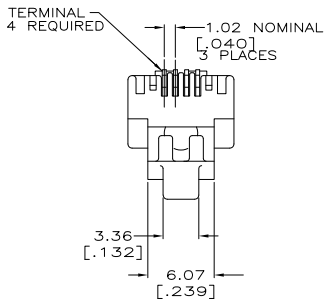
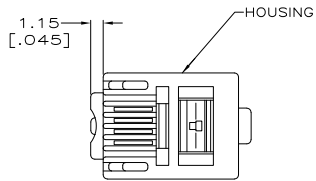
⚠ MATERIAL: HOUSING - POLYCARBONATE CLEAR. TERMINAL - 0.36[.014] THICK PHOSPHOR BRONZE PLATED WITH 1.27um [.000050] THICK GOLD IN THE LOCALIZED GOLD PLATE AREA, GOLD FLASH OVER THE REMAINDER, OVER 2.54um[.000100] THICK NICKEL UNDERPLATE.

3. PLUG WILL ACCEPT 24 OR 26 AWG SOLID WIRE HAVING A MAXIMUM INSULATION DIAMETER OF 0.99[.039] AND A MAXIMUM ROUND CABLE JACKET DIAMETER OF 2.54 [.100] OR OVAL CABLE JACKET OF 2.29 X 4.83[.090 X .190] MAXIMUM.

⚠ TERMINATED DIMENSION: 6.15[.242] MAXIMUM.

⚠ 1000 PIECES PER PACKAGE.

⚠ 100 PIECES PER PACKAGE.



⚠	LOOSE PIECE	5-556384-3
⚠	PACKAGED	5-556384-2
	DESCRIPTION	PART NO.

THIS DRAWING IS A CONTROLLED DOCUMENT.		DWG	DATE	Tyco Electronics Corporation	
DIMENSIONS:		L. HALL	21FEB2008	Harrisburg, PA 17105-3608	
MM (INCHES)		CHK	21FEB2008	NAME	
OTHER DIMENSIONS:		S. MCNEILL	21FEB2008	B. MCNEILL	
0 PLC		PRODUCT SPEC		108-1163	
1 PLC		APPLICATION SPEC		114-6016	
2 PLC		WEIGHT		A2 00779 C=556384	
3 PLC		CUSTOMER DRAWING		SCALE 4:1 SHEET 1 of 1 REV G	
4 PLC		FINISH		RESTRICTED TO	
A. P.C. ANGLES					
MATERIAL					

AMP 1471-9 REV 31MM2000

556384

B

A