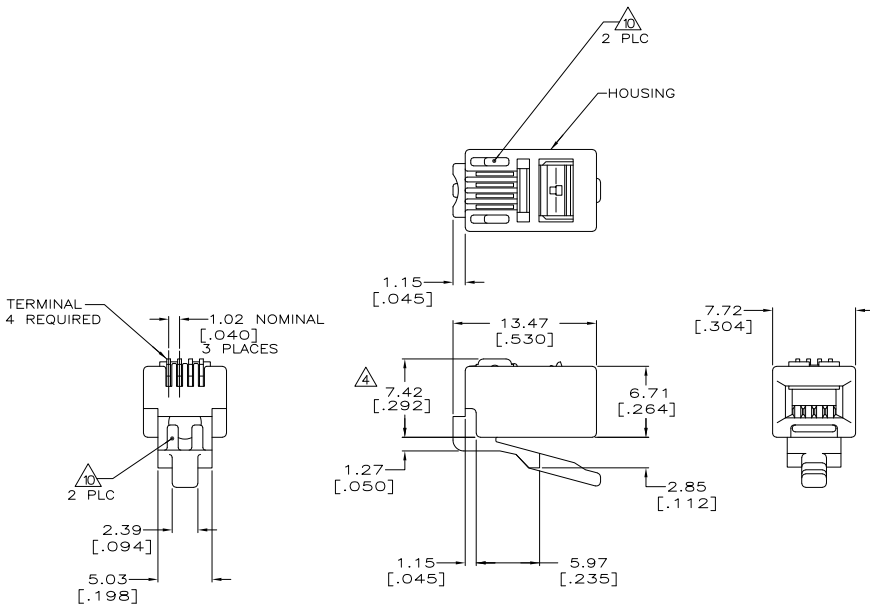


THE DRAWING IS UNPUBLISHED.  
 RELEASED FOR PUBLICATION  
 ALL RIGHTS RESERVED.

REV	DATE	DESCRIPTION	BY	APPD
00				
Y1		REVISED PER ECO-11-005033		
	21MAR11		RK	HMR



- △ DIMENSIONS ARE MAXIMUM UNLESS OTHERWISE SPECIFIED.
- △ MATERIAL: HOUSING—POLYCARBONATE, CLEAR. TERMINAL—0.36 [.014] THICK PHOSPHOR BRONZE PLATED WITH 1.27 μm [.000050] THICK GOLD IN LOCALIZED GOLD PLATE AREA, GOLD FLASH OVER THE REMAINDER, OVER 2.54 μm [.000100] THICK NICKEL UNDERPLATE.
- 3. PLUG WILL ACCEPT 26 OR 28 AWG STRANDED WIRE, 0.99 [.039] MAX INSULATION DIAMETER, WITH A 2.29 X 4.83 [.090 X .190] OVAL JACKET.
- △ 4 TERMINATED DIMENSION 6.15 [.242] MAXIMUM.
- △ 6 10,000 ASSEMBLES PER PACKAGE.
- △ 7 1000 ASSEMBLES PER PACKAGE.
- △ 8 100 ASSEMBLES PER PACKAGE.
- △ 9 25 ASSEMBLES PER PACKAGE.

△	5-641334-7
△	5-641334-3
△	5-641334-2
△	5-641334-1

SUPERSEDED BY 5-641334-2

REELED △	641334-1
PACKAGED	PART NO.

THIS DRAWING IS A CONTROLLED DOCUMENT.		OWN	8-31-93	TE Connectivity	
DIMENSIONS: mm[INCHES]		YIP/LITA	9-15-93	TE Connectivity	
TOLERANCES UNLESS OTHERWISE SPECIFIED:		C. WHITT		MODULAR PLUG ASSEMBLY, 4 POSITION, HANDSET	
∅	PLC ±	APD		PRODUCT SPEC 108-1163	
∅	PLC ±			APPLICATION SPEC 114-6016	
∅	PLC ±			SIZE	CAGE CODE
∅	PLC ±			A2	00779
∅	PLC ±			DRAWING NO	641334
MATERIAL	FINISH	WEIGHT		RESTRICTED TO	
-	-	-		CUSTOMER DRAWING	
			SCALE	4:1	SHEET 1 of 1
			REV	Y1	