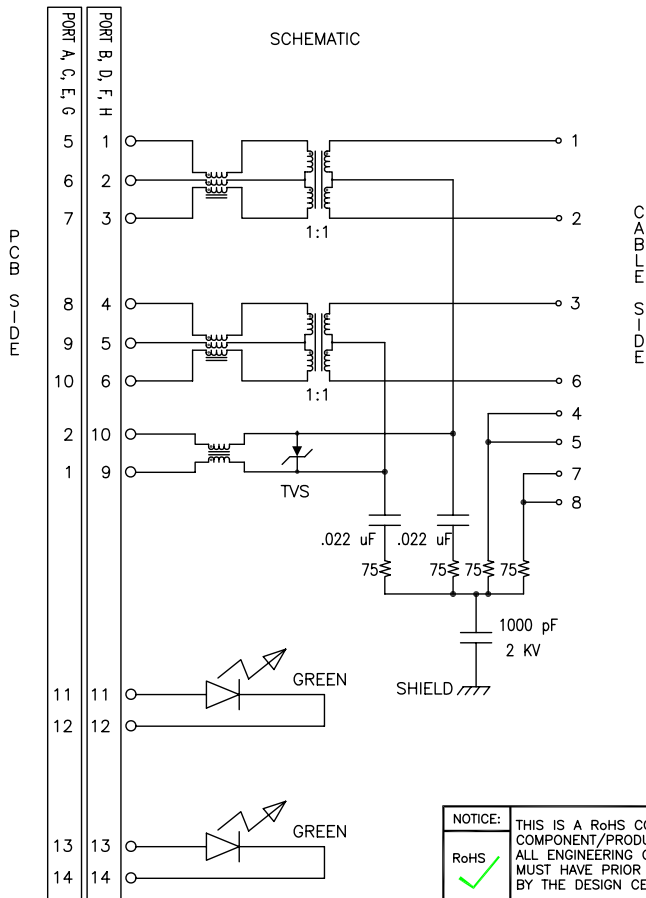


JG0-0051NL

NOTICE: THE INFORMATION AND DESIGN CONTAINED HEREIN IS THE PROPERTY OF PULSE WHO RESERVES ALL RIGHTS THERETO.

ELECTRICAL CHARACTERISTICS AT +25°C UNLESS OTHER SPECIFIED (FOR REFERENCE ONLY. USED FOR CUSTOMER INFORMATION.)

SCHEMATIC



PARAMETER	SPECIFICATIONS		
	100 KHz	1-125 MHz	
INSERTION LOSS	-1.2 dB MAX	-0.2-0.002*f <sup>1.4</sup> dB MAX	
RETURN LOSS (Z <sub>out</sub> = 100 OHM ±25%)	.1-30 MHz -16 dB MIN	30-60 MHz -10+20*LOG <sub>10</sub> (f/60 MHz) dB MIN	60-80 MHz -10 dB MIN
INDUCTANCE (OCL) (MEDIA SIDE, 0°C-70°C)	350 uH MIN (MEASURED AT 100 KHz, 100 mVRMS AND WITH 8 mA DC BIAS)		
CROSSTALK, ADJACENT CHANNELS	1 MHz	10-100 MHz	
	-50 dB MIN	-55+22*LOG <sub>10</sub> (f/10) dB MIN	
COMMON MODE REJECTION RATIO	2 MHz	30-200 MHz	
	-50 dB MIN	-15+20*LOG <sub>10</sub> (f/200) dB MIN	
INPUT - OUTPUT ISOLATION	1500 VRMS MIN @ 60 SECONDS		

NOTE: f IS FREQUENCY IN MHZ.

EMMITTED COLOR	GREEN
WAVELENGTH (nm)	565 nM
BRIGHTNESS (mCD)	8 TO 12 TYP. @ 20mA
VIEWING ANGLE	100°
POWER DISSIPATION (Pd)	68 mW MAX
DC FORWARD CURRENT	25 mA MAX
REVERSE VOLTAGE (Vr)	5.0 V MAX

NOTICE: THIS IS A RoHS COMPLIANT COMPONENT/PRODUCT. ALL ENGINEERING CHANGES MUST HAVE PRIOR APPROVAL BY THE DESIGN CENTER.

UNLESS OTHERWISE SPECIFIED, ALL DIMENSIONS ARE IN INCHES TOLERANCES ARE:  
 DECIMALS .XX ±.01 ±.1"  
 ANGLES .XXX ±.005  
 DO NOT SCALE DRAWING

SIZE	DATE CODE	DWG. NO.	REV.
B01961		JG0-0051NL	X1
SCALE	CADD FILE	JG0-0051NL-1	SHEET 1 OF 4

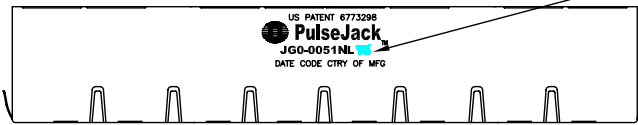
120072004

JGO-0051NL

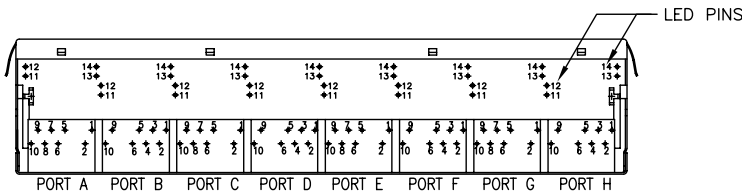
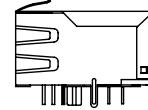
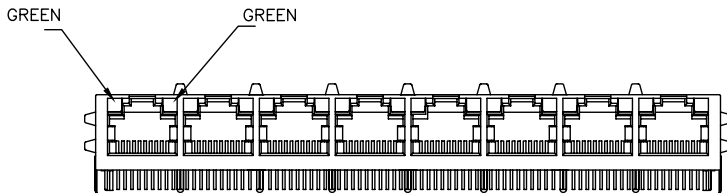
NOTICE: THE INFORMATION AND DESIGN CONTAINED HEREIN IS THE PROPERTY OF PULSE WHO RESERVES ALL RIGHTS THERETO.

FINAL OUTLINE NOTE:  
CHECK DIMENSIONS PER PACKAGE SPECIFICATION ITEM 15.

MARK PART WITH "UL MARK"  
PER PROCEDURE ITEM 22.  
MARK POSITION IS OPTIONAL  
PREFERRED LOCATION IS  
TOP OF THE PART.



FINAL OUTLINE



PIN ASSIGNMENT  
(BOTTOM VIEW)

NOTES:  
FOR PORT A, C, E AND G: PINS 3 AND 4 ARE REMOVED.  
FOR PORT B, D, F AND H: PINS 7 AND 8 ARE REMOVED.

UNLESS OTHERWISE SPECIFIED, ALL DIMENSIONS ARE IN INCHES TOLERANCES ARE:  
DECIMALS .XX ±.01 ±.1°  
.XXX ±.005  
SCALE NONE  
DO NOT SCALE DRAWING

SIZE	DATE CODE	DWG. NO.	REV.
B01961		JGO-0051NL	X1
SCALE	CADD FILE	JGO-0051NL-2	SHEET 2 OF 4

120072204

JG0-0051NL

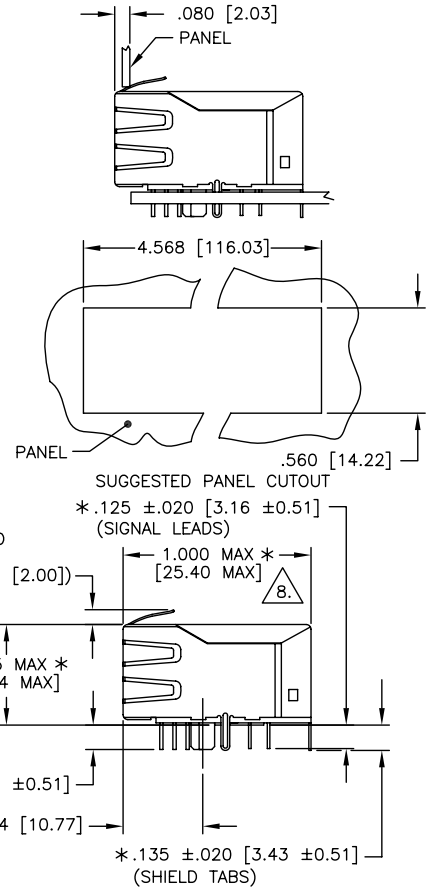
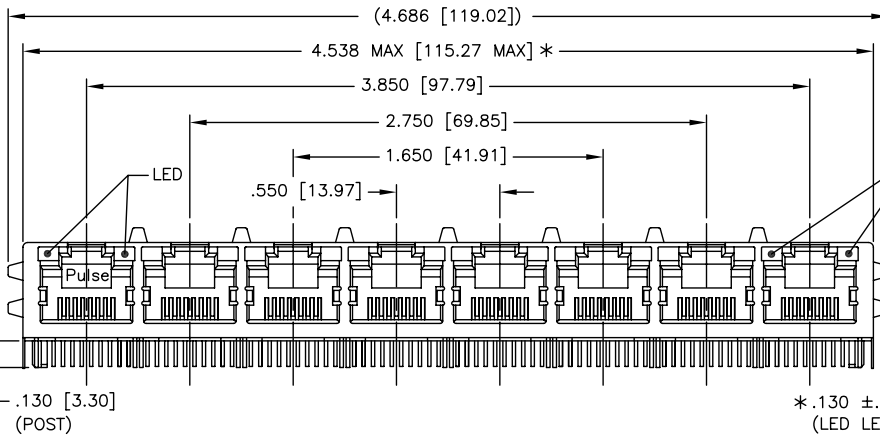
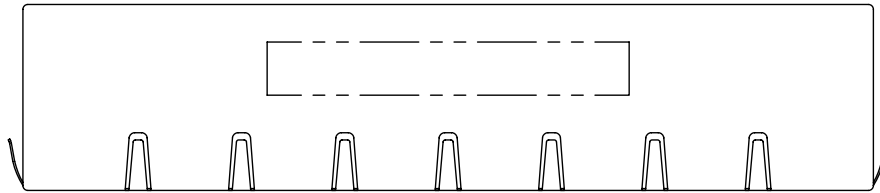
4

3

2

1

NOTICE: THE INFORMATION AND DESIGN CONTAINED HEREIN IS THE PROPERTY OF PULSE WHO RESERVES ALL RIGHTS THERETO.



UNLESS OTHERWISE SPECIFIED, ALL DIMENSIONS ARE IN INCHES TOLERANCES ARE:  
 DECIMALS  
 .XX ±.01  
 .XXX ±.005  
 DO NOT SCALE DRAWING

SIZE	DATE CODE	DWG. NO.	REV
B	01961	JG0-0051NL	X1
SCALE	CADD FILE	SHEET	
2/1	JG0-0051NL-3	3 OF 4	

8-PQ250 REV 6 2/00

4

3

2

1

JG0-0051NL  
 NOTICE: THE INFORMATION AND DESIGN CONTAINED HEREIN IS THE PROPERTY OF PULSE WHO RESERVES ALL RIGHTS THERETO.

4 3 2 1

D

D

C

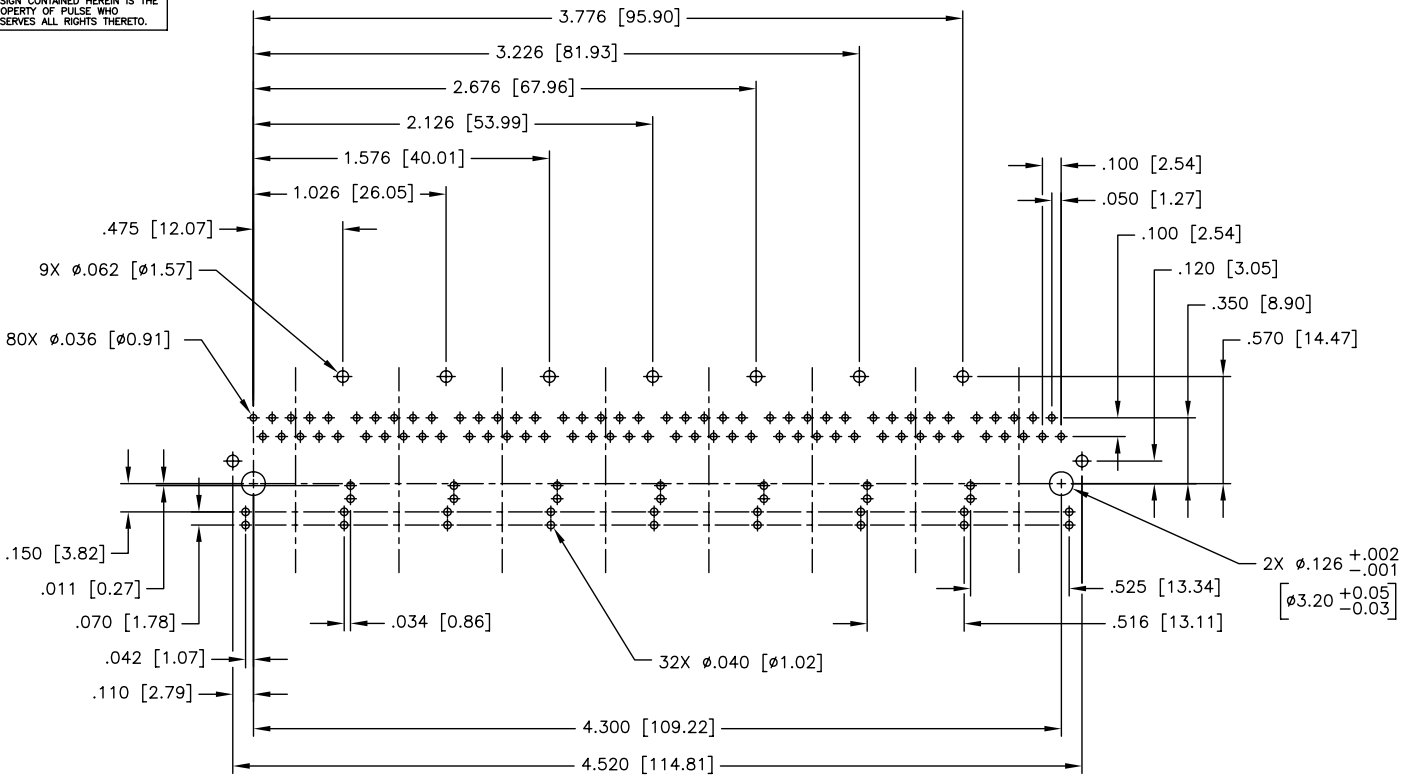
C

B

B

A

A



SUGGESTED FOOTPRINT (COMPONENT SIDE SHOWN)  
 DIMENSIONAL TOLERANCE: (UNLESS OTHERWISE SPECIFIED)  
 .XXX ±.003 [X.XX ±0.08]

UNLESS OTHERWISE SPECIFIED, ALL DIMENSIONS ARE IN INCHES  
 DECIMALS  
 .XX ±.01  
 .XXX ±.005  
 DO NOT SCALE DRAWING

SIZE	DATE CODE	DWG. NO.	REV
B01961		JG0-0051NL	X1
SCALE	CADD FILE	SHEET	
2/1	JG0-0051NL-4	4 OF 4	

8-PR250 REV 6 2/00

4 3 2 1