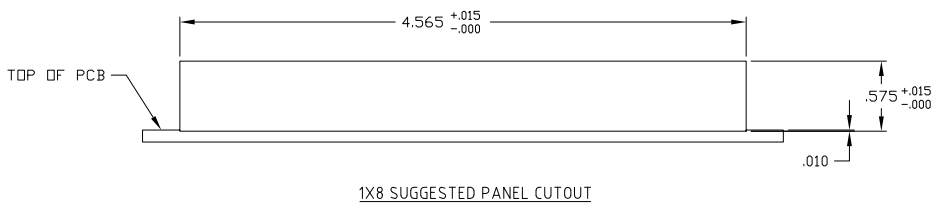
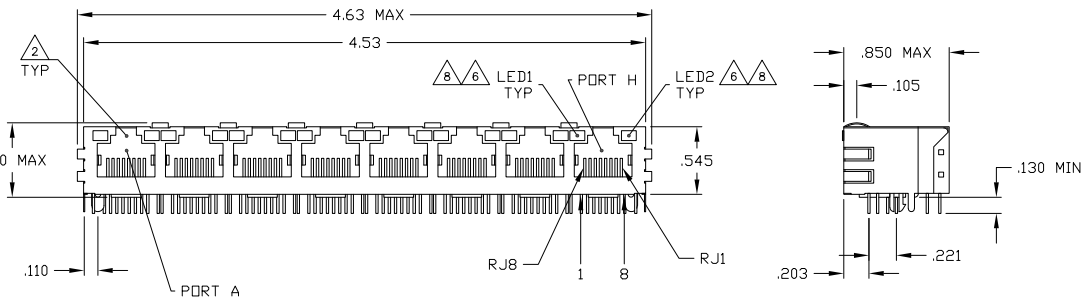
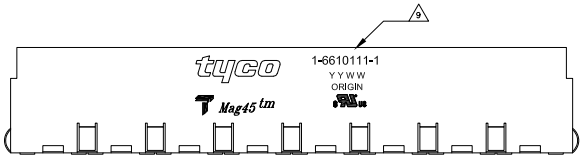


THIS DRAWING IS UNAPPROVED FOR PUBLICATION  
 © 2008 BY TYGO ELECTRONICS CORPORATION ALL RIGHTS RESERVED

REV	DATE	DESCRIPTION	BY	CHK	APP
AA	22				
A		REV PER EC: 0513-0650-04			

**MECHANICAL:**

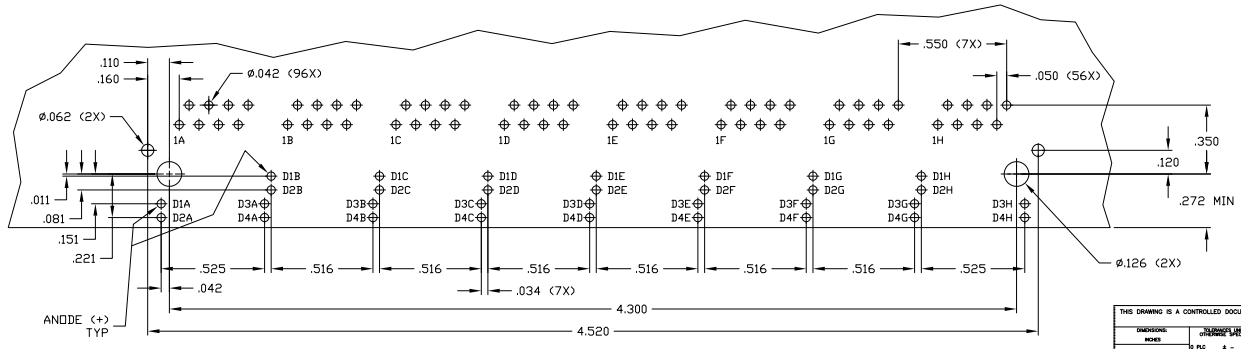
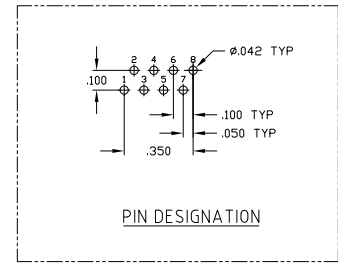
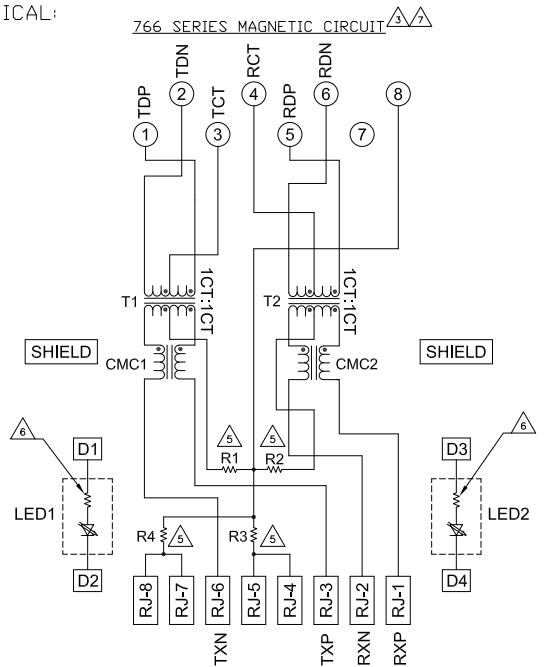


- MATERIALS:**
  - HOUSING - THERMOPLASTIC PET POLYESTER FLAMMABILITY RATING UL 94V-0
  - SHIELD - .010" THICK C28800 BRASS PREPLATED WITH 30μINCH MIN SEMI-BRIGHT NICKEL. SOLDER TABS POST DIPPED WITH 100μINCH MIN SAC SOLDER
  - MOD JACK CONTACTS - 0.0157 X 0.018" PHOSPHOR BRONZE, 50μINCH MIN OVERALL NICKEL UNDERPLATE WITH SELECT 50μINCH MIN HARD GOLD FINISH PLATE
  - SOLDER TABS WITH 100μINCH MIN MATTE TIN AND/OR SAC SOLDER DIP.
  - LIGHT EMITTING DIODE(LED) - DIFFUSED EPOXY LENS, .020" X .020" CARBON STEEL WIREFRAME LEADS PRE-PLATED WITH 80μINCH SILVER OVER 40μINCH NICKEL UNDERPLATE OVER 40μINCH COPPER UNDERPLATE. POST-PLATED WITH 100μINCH MIN MATTE TIN AND/OR SAC SOLDER DIP OR PURE TIN SOLDER DIP.
- RJ45 JACK CAVITY CONFORMS TO FCC RULES AND REGULATIONS PART 68, SUB PART F.**
- MAGNETICS**
  - IMPEDANCE: 100 OHMS
  - TURNS RATIO (EHP CABLE): TX = 11, RX = 11
  - OPEN CIRCUIT INDUCTANCE (OCL): 350 nH MIN @100MHz, 0.1VRMS, 8mADC BIAS FROM 0°C TO 70°C, TX AND RX
  - PERFORMANCE @ 25°C:
    - INSERTION LOSS (IL): 1.1dB MAX FROM 0.5MHz TO 100MHz
    - RETURN LOSS (RL): 18dB MIN FROM 0.5MHz TO 30MHz
    - 18-20LOG(I/F) 30dB MIN FROM 30.1MHz TO 60MHz
    - 12dB MIN FROM 60.1MHz TO 80MHz
    - CROSSTALK ATTENUATION: 35dB MIN FROM 0.5MHz TO 40MHz
    - 33-20\*LOG(I/F) 50dB MIN FROM 4.01MHz TO 100MHz
    - COMMON MODE REJECTION RATIO (CMRR): 30dB MIN FROM 0.5MHz TO 100MHz
    - ISOLATION VOLTAGE: COMPLIES WITH IEEE802.3 2002, PARA 23.5.11, ITEM a or b.
- OPERATING TEMPERATURE: FROM 0°C TO -70°C.**
- R1-R4 = 75 OHMS, 1/16 W, 5% RESISTORS.**
- LED COMPLIANT WITH IEC60825-1 SAFETY OF LASER PRODUCTS. WHEN OPERATED UP TO 20 mA. THE 250 OHM RESISTOR IS INCLUDED.**
- INDICATED CONNECTIONS ARE FOR HUB CONFIGURATION. THE MAGNETICS ARE SYMMETRICAL AND SUPPORT AUTO-MDIX.**
- LED PEAK WAVELENGTH: GREEN(λ) = 565nm.**
- TRADEMARK, PART NUMBER, DATE CODE, COUNTRY OF ORIGIN AND AGENCY APPROVAL MARKING IN APPROXIMATE LOCATION SHOWN.**

LED1	LED2	PART NUMBER
GREEN	GREEN	1-6610111-1

THIS DRAWING IS A CONTROLLED DOCUMENT.		AUTHORIZED PERSONNEL ONLY AUTHORITY: <b>FERNANDEZ</b>	
WORKS D. PACE S. PACE J. PACE M. PACE	DESIGNED BY: <b>108-2100</b> DRAWN BY: <b>108-2100</b> CHECKED BY: <b>108-2100</b> APPROVED BY: <b>108-2100</b>	<b>1x8 MAG45(TM) MODULAR JACK, 7MHz SOLEMATIC, 70A SERIES MAGNETIC CIRCUIT, SHIELD, WITH RESISTOR LEADS</b>	
PART NUMBER: <b>1-6610111-1</b> DATE CODE: <b>00779</b> CUSTOMER DRAWING	REVISIONS: <b>G=6610111</b> SHEETS TO: <b>1</b> OF: <b>2</b>	Tyco Electronics Corporation Harrisburg, PA 17105-3608	

ELECTRICAL:



SUGGESTED PCB LAYOUT  
(Component Side)

THIS DRAWING IS A CONTROLLED DOCUMENT.		AUTH: FERNANDEZ, JESSIE DATE: 10/20/10 BY: EMBLE CHECKED:		<b>Avnet</b> Tyco Electronics Corporation Harrisburg, PA 17105-3608	
DIMENSIONS: DIM. A DIM. B DIM. C DIM. D DIM. E	FINISHES: FINISH 1 FINISH 2 FINISH 3 FINISH 4	ORDERING INFO: PART NO. REV. NO.	ORDERING INFO: PART NO. REV. NO.	ORDERING INFO: PART NO. REV. NO.	ORDERING INFO: PART NO. REV. NO.
		CUSTOMER DRAWING: A100779G-B610111		SHEETS: 4/1 OF 2 REV: A	