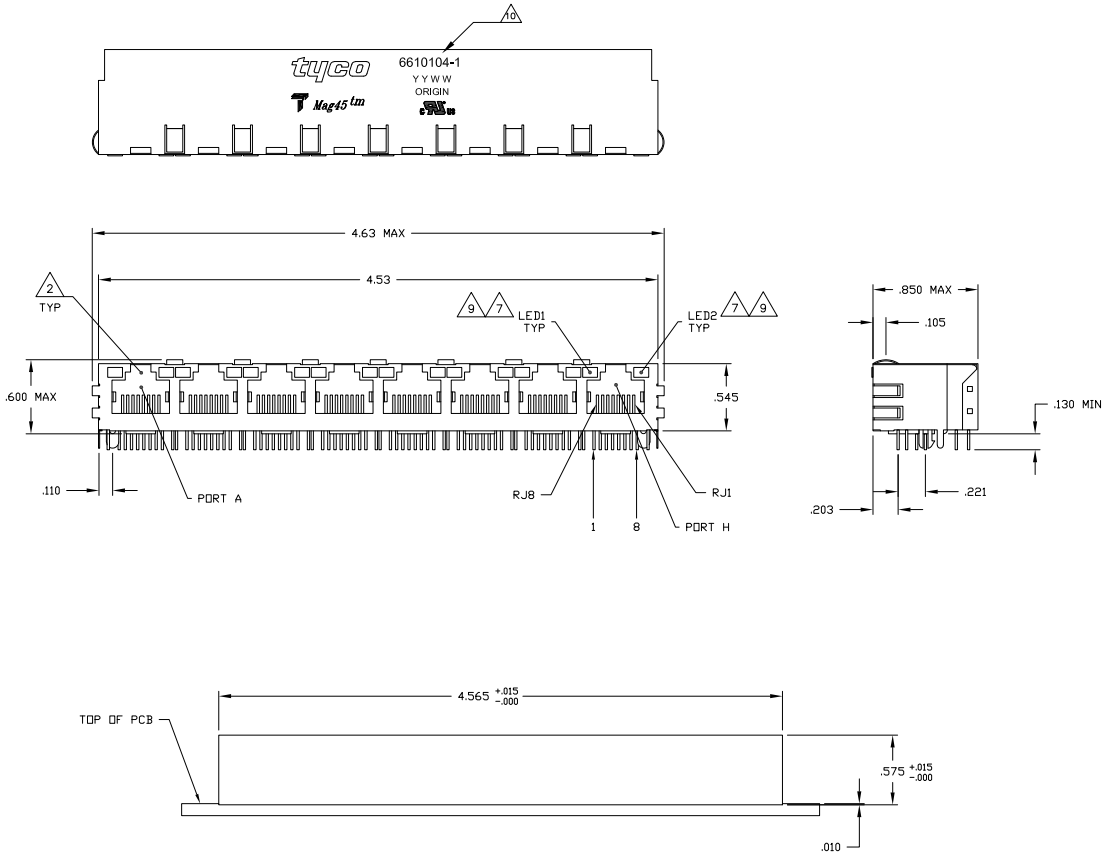


REV	DATE	DESCRIPTION	BY	CHK	APP
AA	22				
A		REV PER EC 0513-0650-04			

MECHANICAL:



- △ MATERIALS:
  - HOUSING - THERMOPLASTIC PET POLYESTER FLAMMABILITY RATING UL 94V-0
  - SHIELD - .010" THICK, C26800 BRASS PREPLATED WITH 30μINCH MIN SEMI-BRIGHT NICKEL. SOLDER TABS POST DIPPED WITH 100μINCH MIN SAC SOLDER.
  - MOD JACK CONTACTS - 0.015" X 0.08" PHOSPHOR BRONZE, 50μINCH MIN OVERALL NICKEL UNDERPLATE WITH SELECT 50μINCH MIN HARD GOLD FINISH PLATE.
  - SOLDERTAILS WITH 100μINCH MIN MATTE TIN AND/OR SAC SOLDER DIP.
  - LIGHT EMITTING DIODE(LED) - DIFFUSED EPOXY LENS, 020" X 020" CARBON STEEL WIREFRAME LEADS PRE-PLATED WITH 80μINCH SILVER OVER 40μINCH NICKEL UNDERPLATE OVER 4.0μINCH COPPER UNDERPLATE. POST-PLATED WITH 100μINCH MIN MATTE TIN AND/OR SAC SOLDER DIP OR PURE TIN SOLDER DIP.
- △ RJ45 JACK CAVITY CONFORMS TO FCC RULES AND REGULATIONS PART 68, SUB PART F.
- △ MAGNETICS
  - IMPEDANCE: 100 OHMS
  - TURNS RATIO (CHP-CABLE): TX = 1:1, RX = 1:1
  - OPEN CIRCUIT INDUCTANCE (OCL): 350nH MIN @100kHz, 0.1VRMS, 8mADC, BIAS FROM 0°C TO 70°C, TX AND RX
  - PERFORMANCE @ 25°C:
    - INSERTION LOSS (IL): 1.1dB MAX FROM 0.5MHz TO 100MHz
    - RETURN LOSS (RL): 18dB MIN FROM 0.5MHz TO 30MHz
    - 18-20LOG|S11|/30dB MIN FROM 30 MHz TO 60MHz
    - 12dB MIN FROM 60 MHz TO 80MHz
    - CROSSTALK ATTENUATION: 35dB MIN FROM 0.5MHz TO 4.0MHz
    - 33-20LOG|S21|/50dB MIN FROM 4.0 MHz TO 100MHz
    - COMMON MODE REJECTION RATIO (CMRR): 30dB MIN FROM 0.5MHz TO 100MHz
    - ISOLATION VOLTAGE: COMPLIES WITH IEE802.3 2002, PARA 23.5.11, ITEM a or b.
- △ C115 IS AN OPTIONAL 1000pF, 2kV DECOUPLING CAPACITOR. IF NO CAPACITOR, TRACE IS CONTINUOUS. SEE TABLE FOR PRESENCE OF CAPACITOR IN DIFFERENT CONFIGURATIONS.
- 5. OPERATING TEMPERATURE: FROM 0°C TO +70°C.
- △ R1-R4 = 75 OHMS, 1/16 W, 5% RESISTORS.
- △ LED COMPLIANT WITH IEC60825-1 SAFETY OF LASER PRODUCTS, WHEN OPERATED UP TO 20 mA. THE 25Ω OHM RESISTOR IS INCLUDED EXCEPT ON BICOLOR LED.
- △ INDICATED CONNECTIONS ARE FOR HUB CONFIGURATION. THE MAGNETICS ARE ASYMMETRICAL, AND DO NOT SUPPORT AUTO-MDIX/MDIX.
- △ LED PEAK WAVELENGTH: GREEN(L) = 565nm  
YELLOW(L) = 585nm
- △ TRADEMARK, PART NUMBER, DATE CODE, COUNTRY OF ORIGIN AND AGENCY APPROVAL MARKING IN APPROXIMATE LOCATION SHOWN.

YES	GREEN	GREEN	6-6610104-1
YES	GREEN/YELLOW	GREEN	5-6610104-4
YES	GREEN	YELLOW	5-6610104-1
NO	GREEN	GREEN	1-6610104-1
NO	GREEN	YELLOW	6610104-1

THIS DRAWING IS A CONTROLLED DOCUMENT. FOR FURTHER INFORMATION, CONTACT TYCO ELECTRONICS CORPORATION, HARRISBURG, PA 17105-3608.

REVISIONS: 108-2100

1X8 MAC45(TM) MODULAR JACK, 75Ω SCHEMATIC, 75Ω SERIES CIRCUIT, SHIELDED, OPTIONAL DECOUPLING CAPACITOR, WITH LEADS

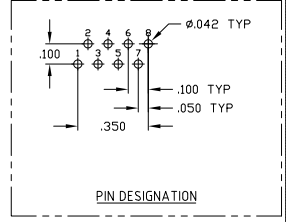
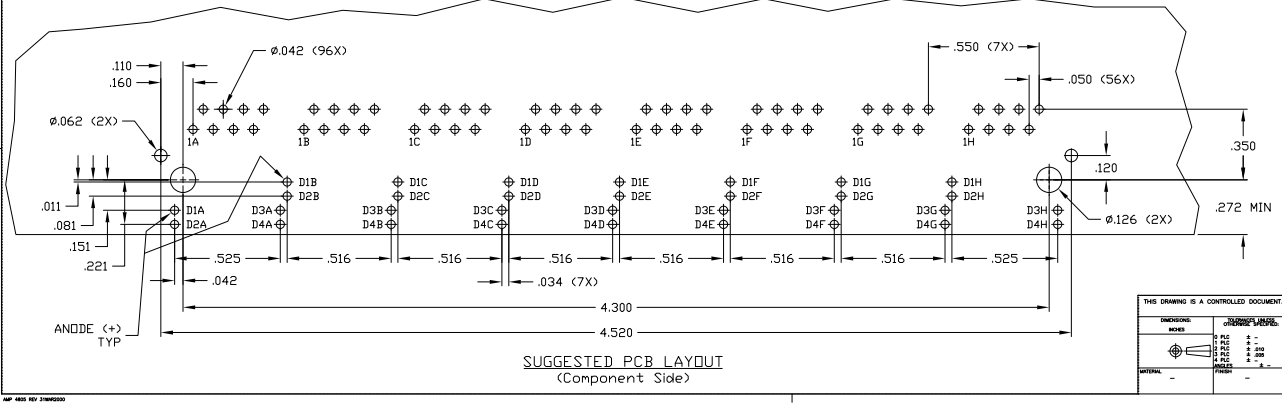
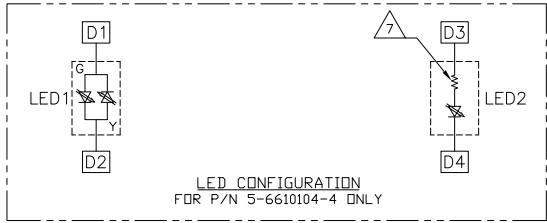
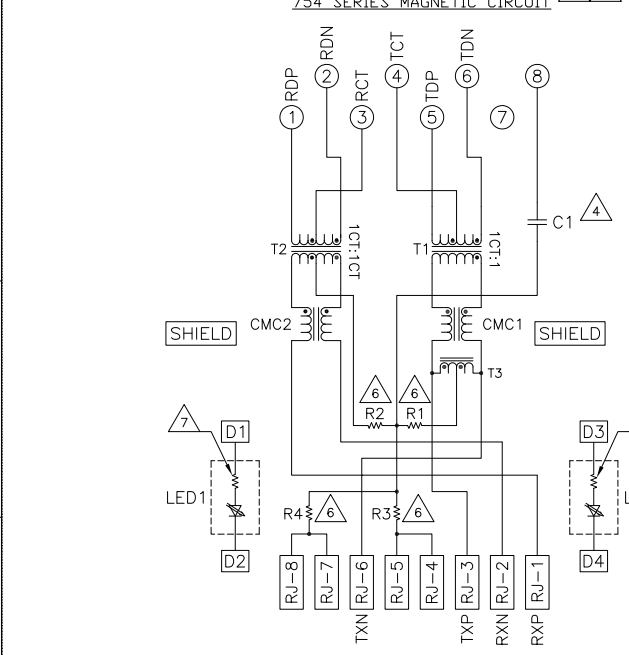
DATE: 05/13/04

CUSTOMER DRAWING: 1007791G-6610104

REV: 1 OF 2

THIS DRAWING IS UNCLASSIFIED  
 RELEASE FOR PUBLICATION  
 BY THE ELECTRONICS CORPORATION  
 ALL RIGHTS RESERVED

REV	DATE	DESCRIPTION	BY	CHK	APP
AA	22	SEE SHEET 1			



THIS DRAWING IS A CONTROLLED DOCUMENT		FERNANDEZ-RODRIGUEZ		Tyco Electronics Corporation	
REV	DATE	BY	CHK	APP	DESCRIPTION
					1X8 MAG-45(TM) MODULAR JACK, 754 SERIES SCHEMATIC, 754 SERIES CIRCUIT, SHIELDED, OPTIONAL DECOUPLING CAPACITOR, WITH LEADS
					108-2100
					REVISED BY
					DATE
					100779(G)-6610104
					CUSTOMER DRAWING
					REV. 4.1
					PAGE 2 OF 2
					REV. A

AMP 485 REV 3/19/2000