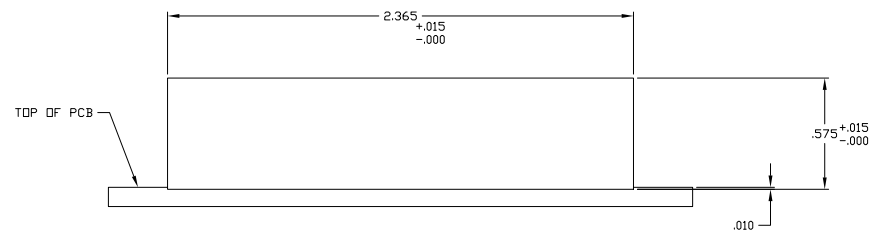
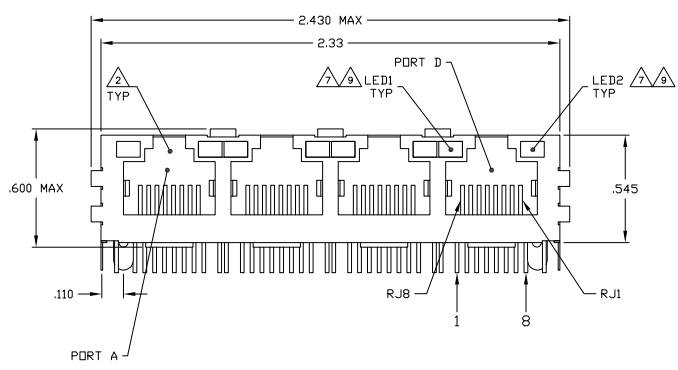
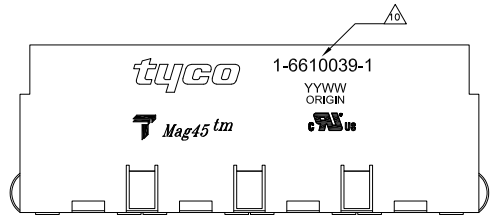


REV	DATE	DESCRIPTION	BY	CHK	APP
AA	22				
A		REV PER EC 0513-0650-04			

MECHANICAL:



1X4 SUGGESTED PANEL CUTOUT

- △ MATERIALS:
  - HOUSING - THERMOPLASTIC PET POLYESTER FLAMMABILITY RATING UL 94V-0
  - SHIELD - .010" THICK, C26800 BRASS PREPLATED WITH 30/100 INCH MIN SEMI-BRIGHT NICKEL
  - SOLDER TABS POST DIPPED WITH 100/100 INCH MIN SAC SOLDER
  - MOD JACK CONTACTS - 0.9157 X 0.018" PHOSPHOR BRONZE, 50/100 INCH MIN OVERALL NICKEL UNDERPLATE WITH SELECT 50/100 INCH MIN HARD GOLD FINISH PLATE. SOLDER TAILS WITH 100/100 INCH MIN MATTE TIN AND/OR SAC SOLDER DIP.
  - LIGHT EMITTING DIODE(LED) - DIFFUSED EPOXY LENS, .020" X .020" CARBON STEEL WIREFRAME
  - LEADS PRE-PLATED WITH 85/100 INCH SILVER OVER 40/100 INCH NICKEL UNDERPLATE OVER 40/100 INCH COPPER UNDERPLATE. POST-PLATED WITH 100/100 INCH MATTE TIN AND/OR SAC SOLDER DIP OR PURE TIN SOLDER DIP.
- △ RJ45 JACK CAVITY CONFORMS TO FCC RULES AND REGULATIONS PART 68, SUB PART F.
- △ MAGNETICS
  - IMPEDANCE: 100 OHMS
  - TURNS RATIO (CHP CABLE): TX = 11, RX = 11
  - OPEN CIRCUIT INDUCTANCE (OCL): 350 nH @ 100MHz, 0.1VRMS, 8mADC BIAS FROM 0°C TO 70°C, TX AND RX
  - PERFORMANCE @ 25°C:
    - INSERTION LOSS (IL): 1.1dB MAX FROM 0.5MHz TO 100MHz
    - RETURN LOSS (RL): 18dB MIN FROM 0.5MHz TO 30MHz
    - 18-20LOG(I/O) 30dB MIN FROM 30 MHz TO 60MHz
    - 30dB MIN FROM 60 MHz TO 80MHz
    - CROSSTALK ATTENUATION: 35dB MIN FROM 0.5MHz TO 40MHz
    - 33-20LOG(I/O) 50dB MIN FROM 40 MHz TO 100MHz
    - COMMON MODE REJECTION RATIO (CMRR): 30dB MIN FROM 0.5MHz TO 100MHz
    - ISOLATION VOLTAGE: COMPLIES WITH IEEE802.3 2002, PARA 23.5.1.1, ITEM a or b.
- △ C1 IS AN OPTIONAL 1000 pF, 2KV DECOUPLING CAPACITOR. IF NO CAPACITOR, TRACE IS CONTINUOUS. SEE TABLE FOR PRESENCE OF CAPACITOR IN DIFFERENT CONFIGURATIONS.
- 5. OPERATING TEMPERATURE: FROM 0°C TO 70°C
- △ R1-R4 = 75 OHMS, 1/16 W, 5%
- △ LED COMPLIANT WITH IEC60825-1 SAFETY OF LASER PRODUCTS. WHEN OPERATED UP TO 20 mA, THE 250 OHM RESISTORS IS INCLUDED.
- △ INDICATED CONNECTIONS ARE FOR HUB CONFIGURATION. THE MAGNETICS ARE ASYMMETRICAL, AND DO NOT SUPPORT AUTO-REVERSE.
- △ LED PEAK WAVELENGTH (GREEN<sub>1</sub>) = 565nm  
YELLOW<sub>1</sub> = 585nm
- △ TRADEMARK, PART NUMBER, DATE CODE, COUNTRY OF ORIGIN AND AGENCY APPROVAL MARKING IN APPROXIMATE LOCATION SHOWN.

YES	GREEN	YELLOW	5-6610039-1
NO	GREEN	GREEN	1-6610039-1
DECOUPLING CAPACITOR	LED1	LED2	PART NUMBER

THIS DRAWING IS A CONTROLLED DOCUMENT AND DOES NOT SUPPORT AUTO-REVERSE

REVISIONS	DATE	DESCRIPTION	BY	CHK	APP
1					

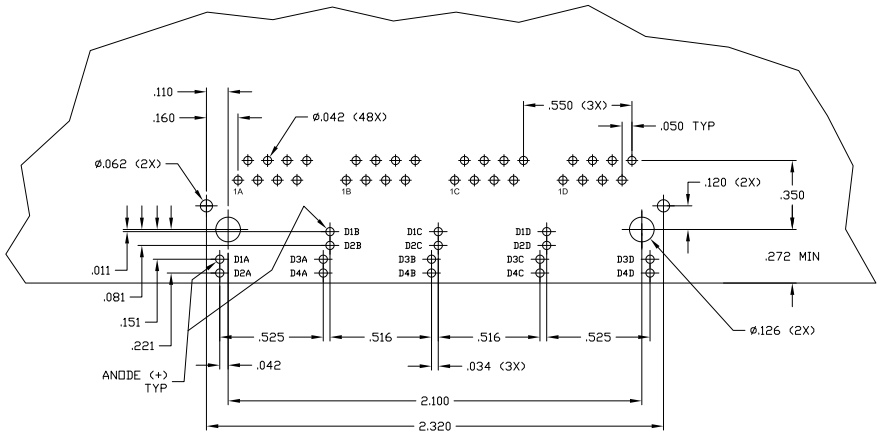
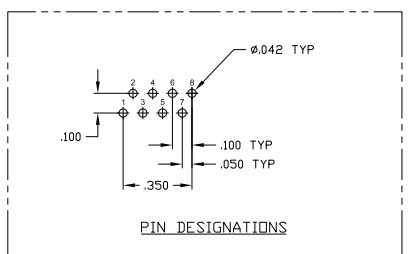
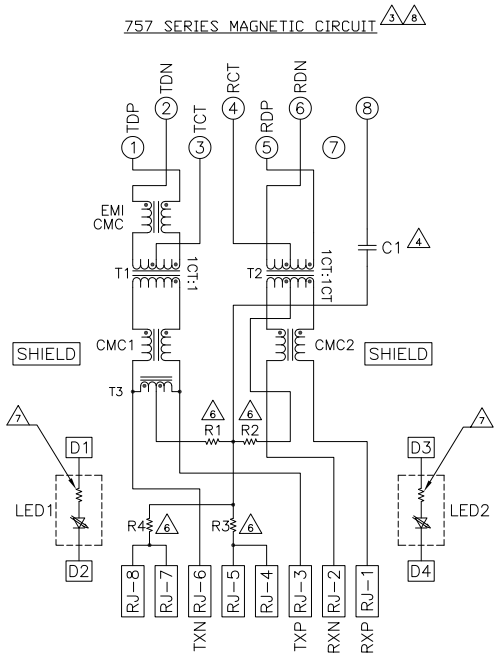
1X4 MAG45(TM) MODULAR JACK, 7H2 SCHEMATIC, 57 SERIES CIRCUIT, SHIELDED, WITH RESISTOR LEADS

1007 ONE ONE THREE ZERO ONE

00779(G)=6610039

CUSTOMER DRAWING

REV	DATE	DESCRIPTION	BY	CHK	APP
AA	22	SEE SHEET 1			



SUGGESTED PCB LAYOUT  
(Component Side)

THIS DRAWING IS A CONTROLLED DOCUMENT.		REV. 1	VAR. 1	DATE	10/20/00
DRAWN BY: J. F. BARKER		DESIGNED BY: J. F. BARKER	APPROVED BY: J. F. BARKER	DATE: 10/20/00	REV: 1
CHECKED BY: J. F. BARKER		DATE: 10/20/00	REV: 1	PART NO. 108-2100	
DESCRIPTION: 1X4 MAG45(TM) MODULAR JACK, 7W2 SCHEMATIC, 57 SERIES CIRCUIT, SHIELDED, WITH RESISTOR LEADS		CUSTOMER DRAWING		REV. 1	DATE: 10/20/00