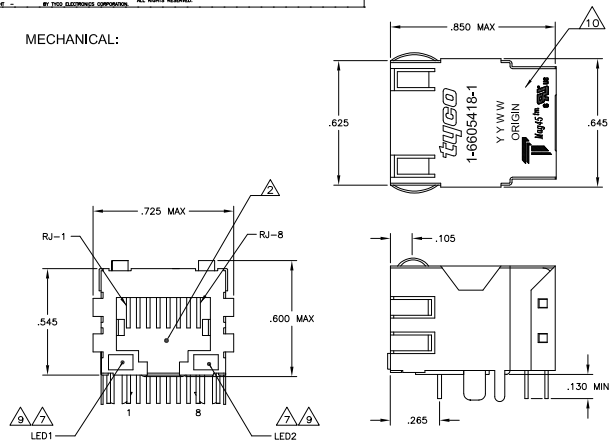


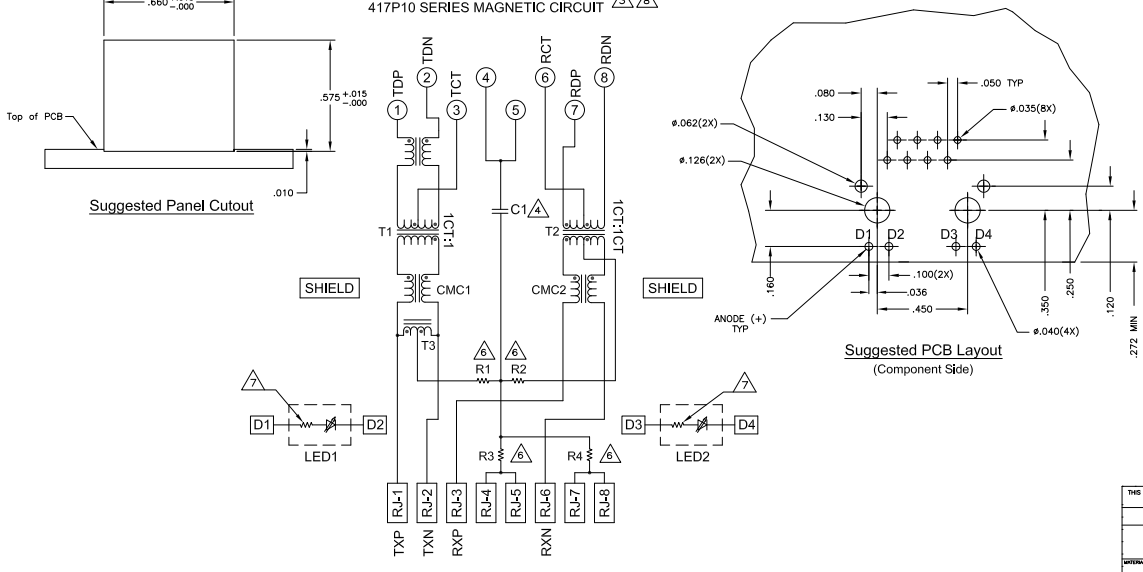
REV	DATE	DESCRIPTION	BY	CHK	APP
AA	22				
B	2005-05-01	3676			

MECHANICAL:



Pin Designations

ELECTRICAL:
 417P10 SERIES MAGNETIC CIRCUIT



- MATERIALS:**
 HOUSING - THERMOPLASTIC PET POLYESTER FLAMMABILITY RATING UL 94V-0.
 SHIELD - .010" THICK, C26800 BRASS PREPLATED WITH 30µINCH MIN SEMI-BRIGHT NICKEL. SOLDER TABS POST DIPPED WITH 100µINCH MIN SAC SOLDER.
 MOD JACK CONTACTS - 0.0157" X 0.018" PHOSPHOR BRONZE, 50µINCH MIN OVERALL NICKEL UNDERPLATE WITH SELECT 50µINCH MIN HARD GOLD FINISH PLATE.
 SOLDER TAILS WITH 100µINCH MIN MATTE TIN AND/OR SAC SOLDER DIP.
 LIGHT EMITTING DIODE(LED) - DIFFUSED EPOXY LENS, .020" X .020" CARBON STEEL WIREFRAME LEADS PRE-PLATED WITH 80µINCH SILVER OVER 4.0µINCH NICKEL UNDERPLATE OVER 4.0µINCH COPPER UNDERPLATE. POST-PLATED WITH 100µINCH MIN MATTE TIN AND/OR SAC SOLDER DIP OR PURE TIN SOLDER DIP.
- RJ45 JACK CAVITY CONFORMS TO FCC RULES AND REGULATIONS PART 68, SUB PART F.**
- MAGNETICS**
 -IMPEDANCE: 100 OHMS
 -TURNS RATIO (CHP CABLE): TX = 1:1, RX = 1:1
 -OPEN CIRCUIT INDUCTANCE (OCL): 350µH MIN @100KHz, 0.1VRMS, 8mADC BIAS FROM 0°C TO 70°C, TX AND RX
 -PERFORMANCE @ 25°C:
 INSERTION LOSS (IL): 1.5dB MAX FROM 0.5MHz TO 100MHz
 RETURN LOSS (RL): 18dB MIN FROM 0.5MHz TO 30MHz
 18-20LOG(I/30)dB MIN FROM 30 MHz TO 60MHz
 12dB MIN FROM 60 MHz TO 80MHz
 CROSSTALK ATTENUATION: 35dB MIN FROM 0.5MHz TO 40MHz
 33-20*log(I/50)dB MIN FROM 4.0MHz TO 100MHz
 COMMON MODE REJECTION RATIO (CMRR): 30dB MIN FROM 0.5MHz TO 100MHz
 -ISOLATION VOLTAGE: COMPLIES WITH IEEE802.3 2002, PARA 23.5.1.1, ITEM a or b.
- C1 IS A 1000 pF, 2KV DECOUPLING CAPACITOR.**
- 5. OPERATING TEMPERATURE: FROM 0°C TO -70°C**
- R1-R4 = 75 OHMS, 1/16 W, 5% RESISTORS.**
- LED COMPLIANT WITH IEC60825-1 SAFETY OF LASER PRODUCTS. WHEN OPERATED UP TO 20 mA. THE 250 OHM RESISTOR IS INCLUDED IN THE LEADS.**
- INDICATED CONNECTIONS ARE FOR NIC CONFIGURATION. THE MAGNETICS ARE ASYMMETRICAL AND DO NOT SUPPORT AUTO-MD/MIX.**
- LED PEAK WAVELENGTH: GREEN(L) = 565nm**
- TRADEMARK, PART NUMBER, DATE CODE, COUNTRY OF ORIGIN AND AGENCY APPROVAL MARKING IN APPROXIMATE LOCATION SHOWN.**

GREEN		GREEN		1-6605418-1	
LED1	LED2	LED2	LED2	PART NUMBER	
THIS DRAWING IS A CONTROLLED DOCUMENT.					
DESIGNER	DATE	REV	DESCRIPTION	DATE	BY
108-2100			1X1 MAG45(TM), MODULAR JACK, SHIELDED, 4N2P10 SCHEMATIC, 417P10 MAGNETIC CIRCUIT, DECOUPLING CAPACITOR, WITH RESISTOR LEADS		
DATE	SIZE	ISSUE NO	REV	DATE	BY
CUSTOMER DRAWING			DATE	REV	BY
			00779	6605418	