

4

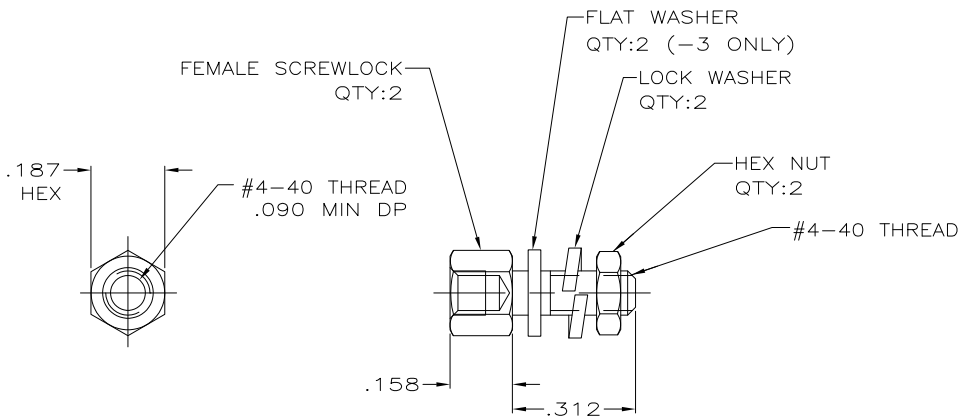
3

2

1

THIS DRAWING IS UNPUBLISHED. RELEASED FOR PUBLICATION  
 © COPYRIGHT - By - ALL RIGHTS RESERVED.

LOC	DIST	REVISIONS			
P	LTR	DESCRIPTION	DATE	DWN	APVD
GP	00				
P		REVISED PER ECO-11-004835	11MAR11	RK	HMR



1. PARTS PACKAGED UNASSEMBLED.
2. PARTS PACKAGED AS A UNIT KIT.

ZINC PLATING .000200-.000400 THICK,  
 YELLOW CHROMATE COATING.

W/ FLAT WASHER	5748271-3
W/O FLAT WASHER	5748271-1
REMARKS	PART NUMBER

THIS DRAWING IS A CONTROLLED DOCUMENT.		DWN	S.WAITMAN	12JUL05	TE Connectivity NAME FEMALE SCREWLOCK KIT, SHORT HEAD, .090 PANEL, AMPLIMITE SIZE CAGE CODE DRAWING NO RESTRICTED TO A3 00779 C-5748271 -
DIMENSIONS: INCHES		CHK	C.ROHDE	12JUL05	
TOLERANCES UNLESS OTHERWISE SPECIFIED:		APVD	M.WALMSLEY	12JUL05	
0 PLC ± - 1 PLC ± - 2 PLC ± - 3 PLC ± .005 4 PLC ± - ANGLES ± -		PRODUCT SPEC			
MATERIAL	STEEL	FINISH		WEIGHT	-
CUSTOMER DRAWING			SCALE	4:1	SHEET 1 of 1 REV P