

4

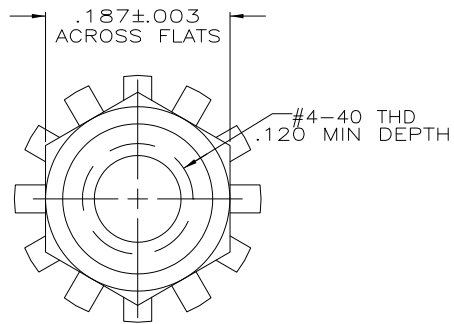
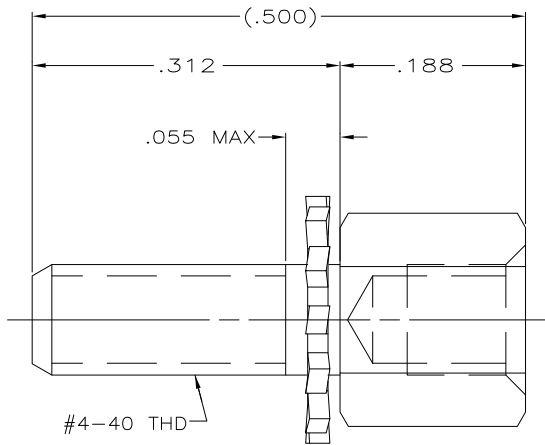
3

2

1

THIS DRAWING IS UNPUBLISHED. RELEASED FOR PUBLICATION
 © COPYRIGHT - By - ALL RIGHTS RESERVED.

LOC	DIST	REVISIONS			
P	LTR	DESCRIPTION	DATE	DWN	APVD
P		REVISED PER ECO-11-004835	11MAR11	RK	HMR



- 1 ZINC PLATED .000200-.000400 THICK CLEAR CHROMATE COATING.
- 2 PARTS PACKAGED AS A UNIT KIT.
- 3 PARTS INDIVIDUALLY BULK PACKED & SHIPPED AS A UNIT PACKAGE.

PACKAGING	QUANTITY	FINISH	PART NO
3	2	1	5748558-4
2	2	1	5748558-3

THIS DRAWING IS A CONTROLLED DOCUMENT.		DWN R. RICHARDSON 29JUN05	TE Connectivity	
DIMENSIONS: INCHES		CHK J. GERACE 29JUN05	NAME	
TOLERANCES UNLESS OTHERWISE SPECIFIED:		APVD M. WALMSLEY 29JUN05	FEMALE SCREWLOCK KIT, W/ EXTERNAL TOOTH LOCK WASHER, AMPLIMITE	
0 PLC ± -		PRODUCT SPEC	-	
1 PLC ± -		APPLICATION SPEC	-	
2 PLC ± -		WEIGHT	-	
3 PLC ± .005		SIZE	A3	00779
4 PLC ± -		DRAWING NO	C-5748558	
ANGLES ± -		RESTRICTED TO	-	
MATERIAL COLD ROLLED STEEL	FINISH SEE TABLE	CUSTOMER DRAWING	SCALE 10:1	SHEET 1 of 1
		REV	P	