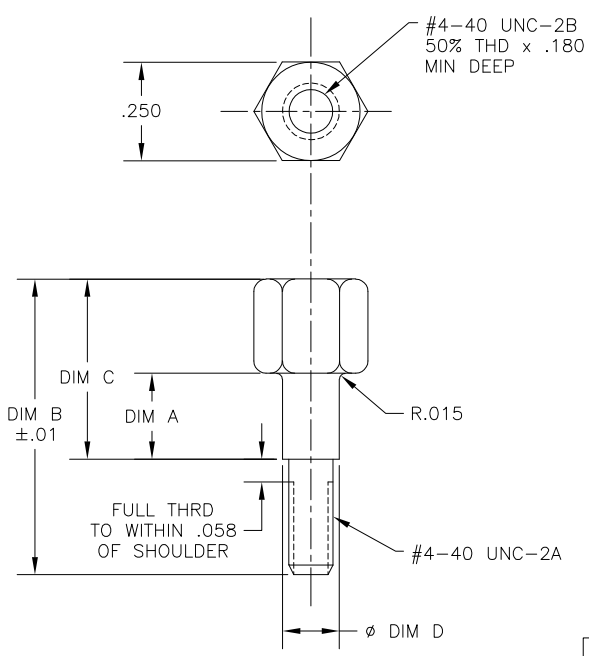


THIS DRAWING IS UNPUBLISHED. RELEASED FOR PUBLICATION  
 © COPYRIGHT 2005 BY TYCO ELECTRONICS CORPORATION. ALL RIGHTS RESERVED.

LOC	DIST	REVISIONS					
GP	00	P	LTR	DESCRIPTION	DATE	DWN	APVD
		0		RELEASED PER EC OS13-0288-05	05OCT05	GP	JG



1 MATERIAL: CARBON STEEL, ZINC PLATE WITH YELLOW TRIVALENT CHROMATE.

.138-.144	.347	.64	.108	5229995-2
.138-.144	.457	.75	.218	5229995-1
Ø DIM D	DIM C	DIM B	DIM A	PART NO.

THIS DRAWING IS A CONTROLLED DOCUMENT.		DWN	G.PETERS		05OCT05		Tyco Electronics Corporation	
		CHK	W.MILLHIMES		05OCT05		Harrisburg, Pa 17105-3608	
DIMENSIONS: INCHES		APVD	M.WALMSLEY		05OCT05	NAME		
TOLERANCES UNLESS OTHERWISE SPECIFIED:		PRODUCT SPEC		STAND-OFF, SUTD, MTG				
0 PLC	± -	APPLICATION SPEC		SIZE				
1 PLC	± -	WEIGHT		A3		CAGE CODE		DRAWING NO
2 PLC	± -	CUSTOMER DRAWING		00779		C=5229995		RESTRICTED TO
3 PLC	± .005	SCALE		4:1		SHEET		1 OF 1
4 PLC	± -	REV		0		REV		0
ANGLES	± -							
MATERIAL	1							
FINISH	1							