

4

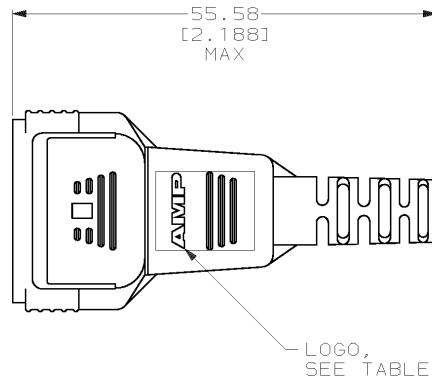
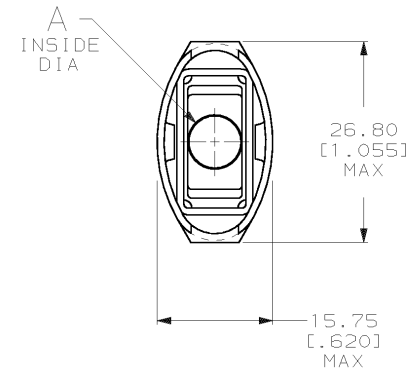
3

2

1

THIS DRAWING IS UNPUBLISHED. RELEASED FOR PUBLICATION .19
 © COPYRIGHT 19 BY AMP INCORPORATED. ALL RIGHTS RESERVED.

LOC	DIST	REVISIONS			
P	LTR	DESCRIPTION	DATE	DWN	APVD
		REVISED PER			
		EC 0U1D-0260-00	13 SEP 01	JR	JG



SUPERSEDED BY 745002-1	5.08 [.200]	YES	745002-3
	6.73 [.265]	YES	745002-2
	5.08 [.200]	NO	745002-1

A	LOGO	PART NUMBER
---	------	-------------

1. FOR CONTACT HOUSING, SEE DRAWING NUMBER 207752.

THIS DRAWING IS A CONTROLLED DOCUMENT.		DWN B. CARBO 08 JAN 99	AMP Incorporated Harrisburg, PA 17105-3608
DIMENSIONS: mm (INCHES) TOLERANCES UNLESS OTHERWISE SPECIFIED: 0 PLC ±- 1 PLC ±- 2 PLC ±0.13 (.005) 3 PLC ±- 4 PLC ±- ANGLES ±-		CHK R. STONE 02 MAR 98	
MATERIAL THERMOPLASTIC, BLACK		MPVD R. TAYLOR 02 MAR 98	NAME CORD GUARD, 9 POSN, AMPLIMITE™
FINISH -		PRODUCT SPEC -	APPLICATION SPEC -
		WEIGHT -	SIZE CAGE CODE DRAWING NO A3100779 745002
		CUSTOMER DRAWING	RESTRICTED TO -
		SCALE 2:1	SHEET 1 OF 1 REV F