

4

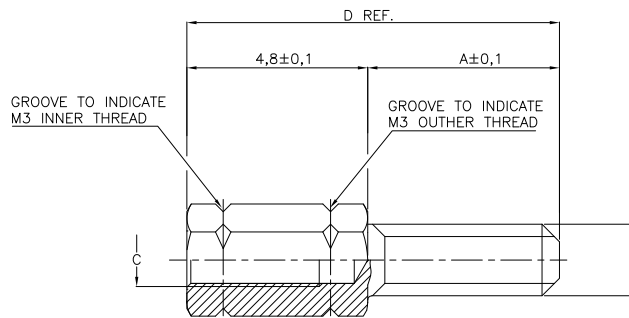
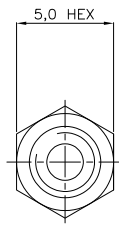
3

2

1

THIS DRAWING IS UNPUBLISHED. RELEASED FOR PUBLICATION  
 COPYRIGHT BY TYCO ELECTRONICS CORPORATION. ALL INTERNATIONAL RIGHTS RESERVED.

LOC	DIST	REVISIONS					
		P	LTR	DESCRIPTION	DATE	DWN	APVD
H	-	C		H-9720	21-04-92	S.M.	-
		D		EH-0054-92	07-12-92	D.K.	-
		J		ECR-09-000314	21-05-09	AEG	KMA
		J1		REVISED PER ECO-09-023313	12OCT09	KK	AEG



OBsolete	DIM "D"	DIM "C"	DIM "B"	DIM "A"	FINISH	MATERIAL	PART NUMBER
△ OBSOLETE	10,8	4-40 UNC	4-40 UNC	6,0	TINPLATED	BRASS	<del>3-829261-0</del>
△ OBSOLETE	9,8	M3	4-40 UNC	5,0			<del>2-829261-8</del>
		4-40 UNC	M3	5,0			2-829261-6
		M3	M3	5,0			2-829261-4
		4-40 UNC	4-40 UNC	5,0			2-829261-2
△ OBSOLETE	19,0	M3	4-40 UNC	14,2			<del>4-829261-8</del>
		4-40 UNC	M3	14,2			1-829261-6
		M3	M3	14,2			1-829261-4
		4-40 UNC	4-40 UNC	14,2			1-829261-2
	12,7	M3	4-40 UNC	7,9			829261-8
		4-40 UNC	M3	7,9			829261-6
		M3	M3	7,9			829261-4
		4-40 UNC	4-40 UNC	7,9	829261-2		

△ OBSOLETE PARTS: OBSOLETE CIS STREAMLINING  
 PER D.RENAUD/D.SINISI

THIS DRAWING IS A CONTROLLED DOCUMENT.		DWN D.KESSLER 02APR91	Tyco Electronics Corporation 's-Hertogenbosch, Nederland	
DIMENSIONS: mm		CHK C.V.TILBURG 23APR91	NAME SCREWLOCK, FEMALE HD-SERIES	
TOLERANCES UNLESS OTHERWISE SPECIFIED:		APVD L.V.SOEST 25APR91	RESTRICTED TO	
0 PLC ± -		PRODUCT SPEC	SIZE A3	
1 PLC ± 0,2		APPLICATION SPEC	CAGE CODE 00779	DRAWING NO 829261
2 PLC ± -		WEIGHT	SCALE NTS	
3 PLC ± -		MATERIAL	SHEET 1 of 1	
4 PLC ± -		FINISH	REV J1	
ANGLES ±		CUSTOMER DRAWING		