

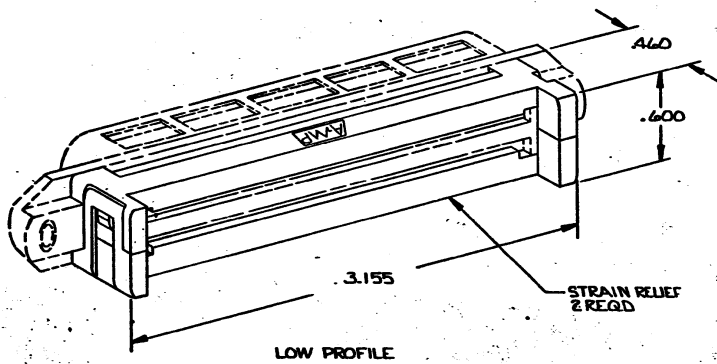
MADE TO THIRD ANGLE PROJECTION

COPYRIGHT 1974 BY AMP INCORPORATED, HARRISBURG, PA.  
ALL INTERNATIONAL RIGHTS RESERVED. AMP INCORPORATED PRODUCTS  
COVERED BY U. S. AND FOREIGN PATENTS AND/OR PATENTS PENDING.

AA 20

REVISIONS			
P. #	ZONE/LTR	DESCRIPTION	DATE APPROVED
F	L	F SUPSD-6ECN.AA-3253	8/21/80 CS

- 1 STRAIN RELIEFS SHOWN ASSEMBLED, HOWEVER, THEY ARE NOT SHIPPED ASSEMBLED.
2. ALL DIMENSIONS SHOWN FOR REFERENCE ONLY UNLESS OTHERWISE SPECIFIED.



LOW PROFILE	BLACK	1-552296-1
DESCRIPTION	COLOR	PART NO

UNLESS OTHERWISE SPECIFIED DIMENSIONS ARE IN INCHES. TOLERANCES ON: DECIMALS ± .010 ANGLES ± .1°	CONTRACT NO	AMP   AMP INCORPORATED Harrisburg, Pa.	
	DR <i>R. S. [Signature]</i> 2/29/80	NAME	
MATERIAL THERMOPLASTIC	CHK <i>W. E. Slack</i> 4/21/80	STRAIN RELIEF, 64 POSN, CHAMP	
FINISH —H—	APPD <i>B. S. Ward</i> 4/21/80	SIZE C	CODE IDENT NO 00779
	DSGN APPD <i>A. J. Donnelly</i> 4-21-80	DRAWING NO	552296
	OTHER APPD	SCALE 2:1	SHEET 1 OF 1

AMP 1471-B REV 12-78

CUSTOMER DRAWING

552296

A