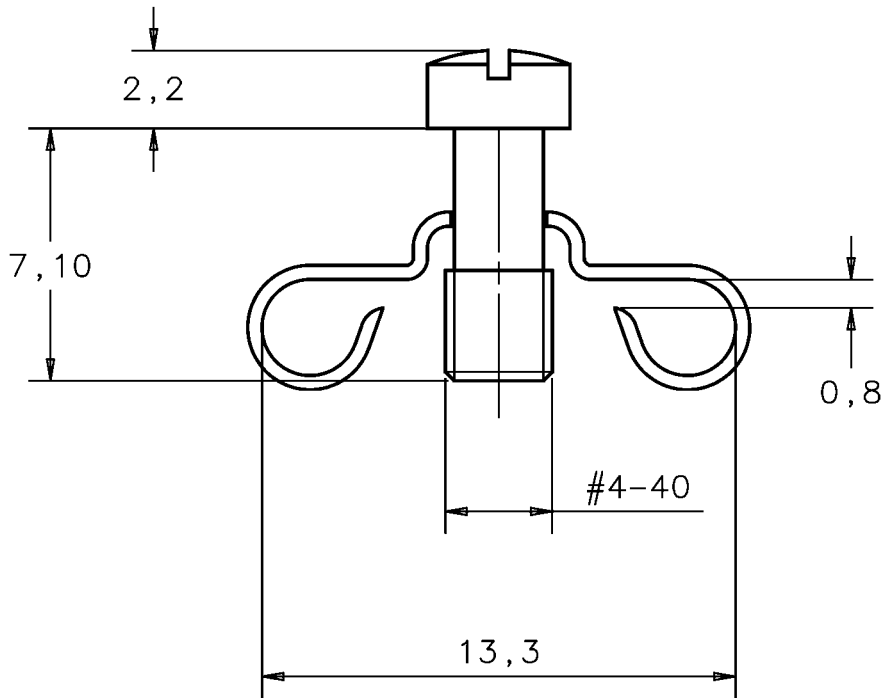


IDEAS-PLAN REALISE EN 2D UNIQUEMENT  
NE PEUT ETRE MIS A JOUR QUE SUR CAO

N CLIENT

N OUTIL

N D'ETUDE



1 P/N with X=10 lockings  
2 locking are necessary for one connector

Matériau : steel  
Protection : tinned



17A

|   |   |                    |   |             |        |               |                  |      |                    |
|---|---|--------------------|---|-------------|--------|---------------|------------------|------|--------------------|
|   |   |                    |   |             |        | TOL. GEN.     | Amphenol Socapex |      |                    |
|   |   |                    |   |             |        | VOLUME PIECE  | Usine de Dole    |      |                    |
|   |   |                    |   |             |        | SURFACE PIECE |                  |      |                    |
|   |   |                    |   |             |        | PROTECTION    |                  |      |                    |
|   |   |                    |   |             |        | TRAITEMENT    | ECH. 5           | ENS. |                    |
| A | X | CREATION PLAN      | Vallot  | 08/02<br>06 |        | MATIERE       | N SERIE          | 017F | A                  |
|   |   | IND. MODIFICATIONS | EXEC.   | DATE        | Approb |               |                  |      | DOSSIER-notice-17A |
|   |   | DATE DU TIRAGE     | DESIGNATION KIT for 5 connectors<br>FRONT INSERT MALE #4-40 FOR SIZE E.A.B.C. |             |        | L17D20419EX   |                  |      |                    |