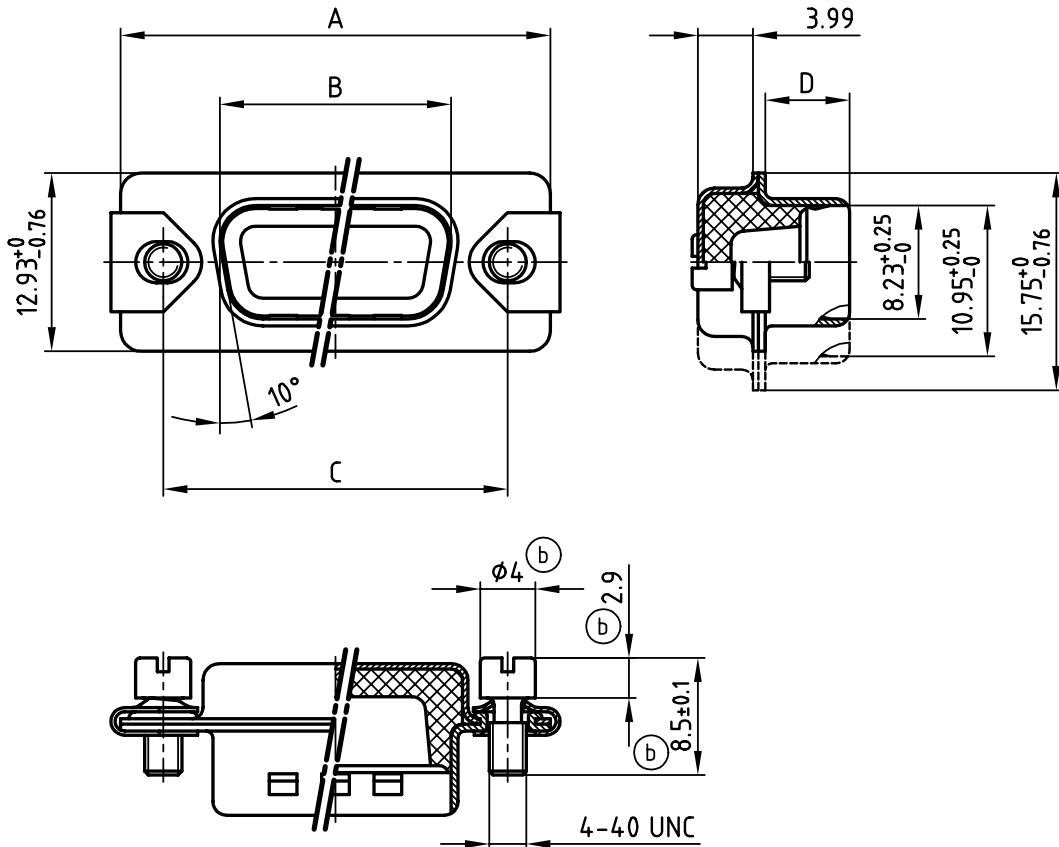


used for: D-SUB



Part No.	Shellsize	A <sup>-0.76</sup>	B <sup>+0.25</sup>	C	D <sup>-0.3</sup>
165X14719X	1	31.19	16.79	25.00 <sup>+0.12</sup> <sub>-0.13</sub>	6.12
165X14729X	2	39.52	25.12	33.30 <sup>+0.15</sup> <sub>-0.1</sub>	6.12
165X14739X	3	53.42	38.84	47.04 ±0.13	5.99
165X14749X	4	69.70	55.30	63.50 ±0.13	5.99
165X14759X	5	67.31	52.68	61.10 <sup>+0.14</sup> <sub>-0.11</sub>	5.99

NOTES:

- METALSHELLS: COPPER ALLOY; min. 320µ" TIN
- INSULATOR: TPE
- CLAMPS: STAINLESS STEEL
- SCREWS: STAINLESS STEEL

THIS DRAWING MAY NOT BE COPIED OR REPRODUCED IN ANY WAY, AND MAY NOT BE PASSED ON TO A THIRD PARTY WITHOUT WRITTEN PERMISSION.  
 OWNERSHIP AND COPYRIGHT OF CONEC GmbH  
 DO NOT ALTER CAD DRAWING BY HAND

tolerance		scale:	
			2:1
			material: SEE NOTES
	2001	date	name
	drawn	10.09.	E. Mickenbecker
	appd.	10.09.	A. Mickenbecker
	norm	DIN 41652	
	d-old		
1 x c	Ä 1912	06.01.2004	Lehmen
3 x b	Ä 1788	06.06.2003	Lehmen
rev.	description	date	name



title:		HOOD 9-50pos. for socket connector water resistant, shielded for EMI/RFI	
dwg no:		AutoCAD 2000	DIN-A
part no:		16K1A291A	4
		sh: 1/1	
part no:		SEE TABLE	