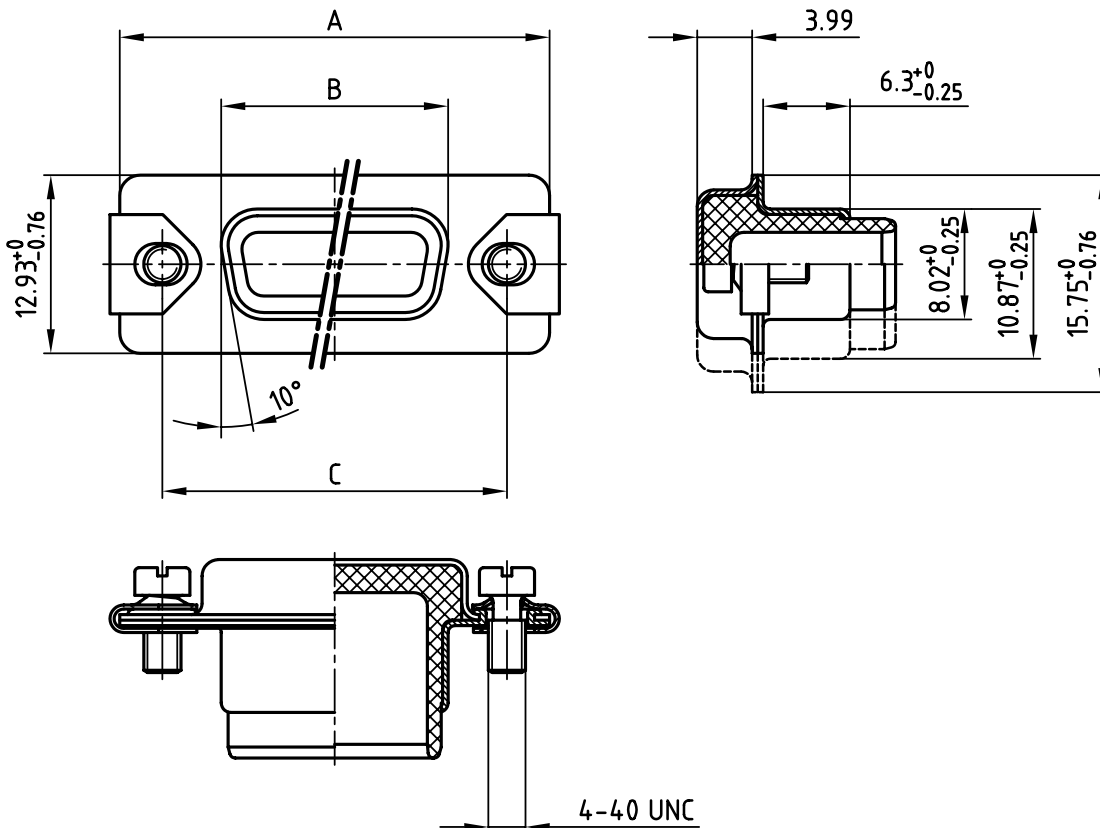


used for: D-SUB



Part No:	Shellsize	A <sup>-0.76</sup>	B <sup>-0.25</sup>	C
165X14769X	1	31.19	16.46	25.00 <sup>+0.12/-0.13</sup>
165X14779X	2	39.52	24.79	33.30 <sup>+0.15/-0.1</sup>
165X14789X	3	53.42	38.50	47.04 <sup>±0.13</sup>
165X14799X	4	69.70	54.96	63.50 <sup>±0.13</sup>
165X14809X	5	67.31	52.55	61.10 <sup>+0.14/-0.11</sup>

**NOTES:**

1. METALSHELLS: STEEL; min. 320µ" TIN
2. INSULATORS: TPE
3. CLAMPS: STEEL NICKEL PLATED
4. SCREWS: STEEL NICKEL PLATED

Directive 2002/95/EC  
"RoHS"  
Compliant

THIS DRAWING MAY NOT BE COPIED OR REPRODUCED IN ANY WAY, AND MAY NOT BE PASSED ON TO A THIRD PARTY WITHOUT WRITTEN PERMISSION.  
OWNERSHIP AND COPYRIGHT OF CONEC GmbH  
DO NOT ALTER CAD DRAWING BY HAND

tolerance		scale:	
2001	date	2:1	
drawn	10.09.	material: SEE NOTES	
appd.	10.09.	title:	
norm	DIN 41652	HOOD 9-50pos. for plug connector water resistant, shielded for EMI/RFI	
d-old		dwg no: AutoCAD 2000 DIN-A	
		16K1A290A	
		part no: SEE TABLE	
rev.	description	date	name



16K1A290A

SEE TABLE

THIS DRAWING MAY NOT BE COPIED OR REPRODUCED IN ANY WAY, AND MAY NOT BE PASSED ON TO A THIRD PARTY WITHOUT WRITTEN PERMISSION.  
OWNERSHIP AND COPYRIGHT OF CONEC GmbH  
DO NOT ALTER CAD DRAWING BY HAND