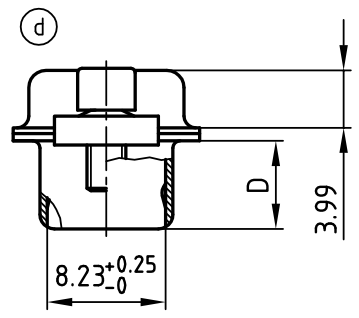
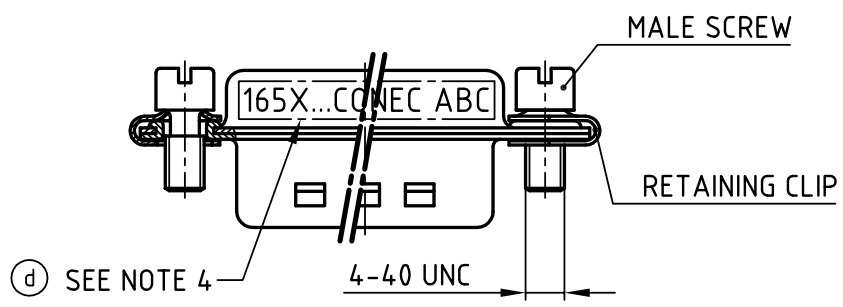
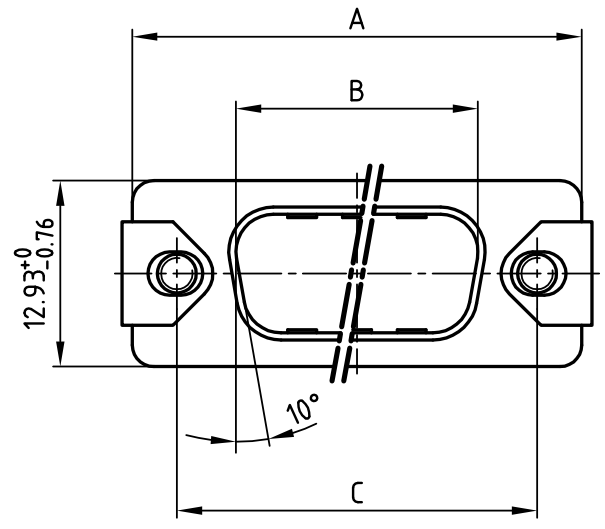


used for: D-SUB



| POS. | A -0.76 | B -0.25 | C | D -0.3 | Part no. |
|------|---------|---------|---|--------|------------|
| 9 | 31.19 | 16.79 | 25.00 ^{+0.12} / _{-0.13} | 6.12 | 165X16719X |
| 15 | 39.52 | 25.12 | 33.30 ^{+0.15} / _{-0.1} | 6.12 | 165X16729X |
| 25 | 53.42 | 38.84 | 47.04 ±0.13 | 5.99 | 165X16739X |
| 37 | 69.70 | 55.30 | 63.50 ±0.13 | 5.99 | 165X16749X |

NOTES:

- 1. SCREEN CAP: STEEL; TIN PLATED
- (b) (c) 2. MALE SCREW: STAINLESS STEEL
- (b) (c) 3. RETAINING CLIP: STAINLESS STEEL
- (d) 4. CONNECTOR IS PART MARKED: PART-NO. CONEC ABC



| | | | | | | | | | |
|---|--|--------------------------------|--|-----------|------------------------------|----------------------------|---|-----------------------------------|--|
| THIS DRAWING MAY NOT BE COPIED OR REPRODUCED IN ANY WAY, AND MAY NOT BE PASSED ON TO A THIRD PARTY WITHOUT WRITTEN PERMISSION. OWNERSHIP AND COPYRIGHT OF CONEC GmbH DO NOT ALTER CAD DRAWING BY HAND | CONEC CORPORATION BRAMPTON, ONTARIO | | | tolerance | | | | scale: 2:1 material: SEE NOTES | |
| | | | | | 2001 date name | | title: COVERED SCREEN CAP 9-37pos. for socket connector | | |
| | | | | | drawn 26.04. Parei | | | | |
| | | | | | appd. 26.04. E. Mickenbecker | | | | |
| | | | | | norm | | | | |
| 3 x d Ä 3463 20.10.2009 Petker d-old | | 2 x c Ä 2440 10.02.2006 Lehmen | | | | dwg no: AutoCAD 2000 DIN-A | | 16K1A184A 4 sh: 1/1 | |
| 2 x b Ä 1872 29.10.2003 Lehmen | | rev. description date name | | | | part no: SEE TABLE | | | |