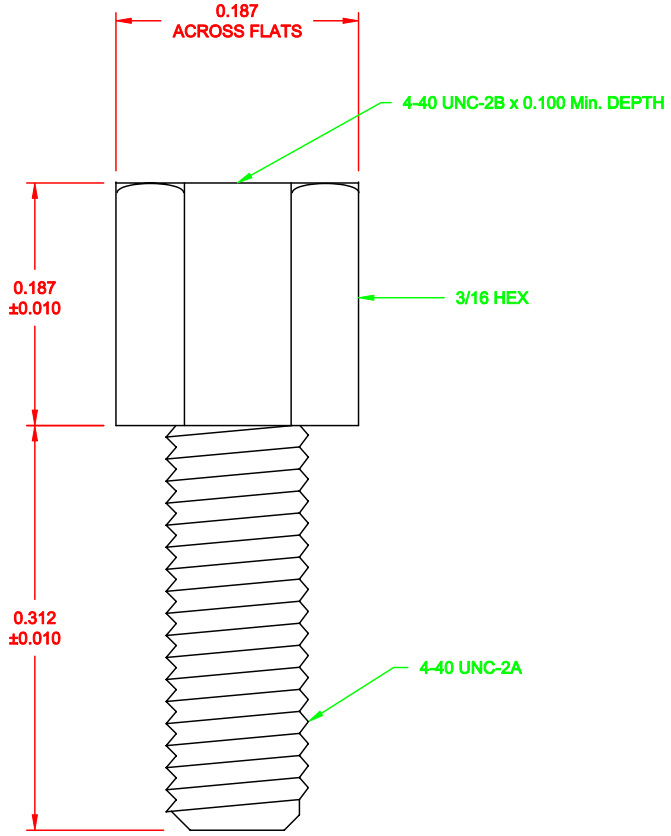


DESCRIPTION: 4-40 FEMALE SCREWLOCK

MATERIAL: BRASS - C3604  
PLATING: NICKEL  
TORQUE VALUE: 4 - 5 IN. LBS. Max



DO NOT SCALE FROM DRAWING



THESE DRAWINGS AND SPECIFICATIONS ARE THE PROPERTY OF NorComp AND SHALL NOT BE REPRODUCED, COPIED OR USED AS THE BASIS FOR THE MANUFACTURE OF SALE OF APPARATUS WITHOUT WRITTEN PERMISSION.

DRAWN: PAM JENKINS DATE: 8-8-05

CHECKED: DATE:

SCALE: 8 : 1 SHEET 1 OF 1 REV 2

DWG NO. SFSO-440-1-NR

# NorComp

## RoHS COMPLIANT