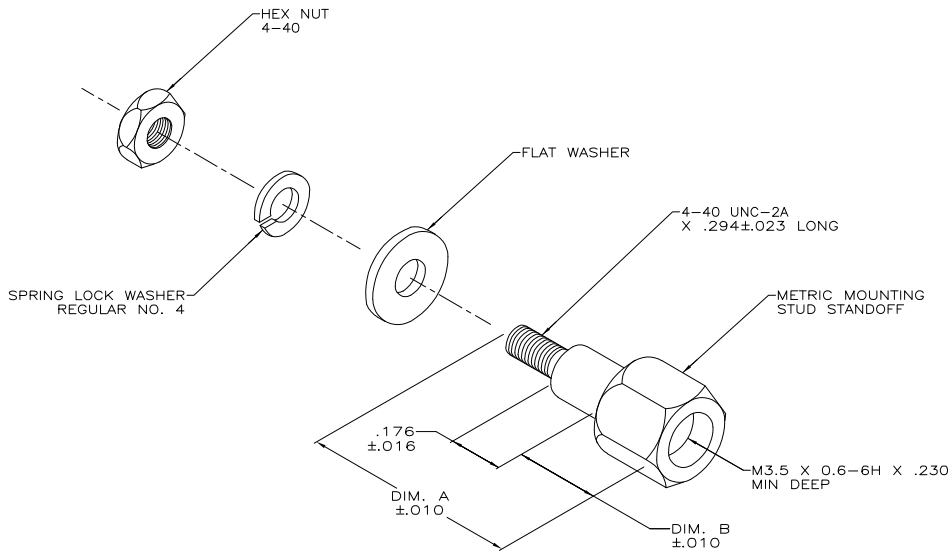


THIS DRAWING IS UNPUBLISHED. RELEASED FOR PUBLICATION  
 © COPYRIGHT BY TYCO ELECTRONICS CORPORATION. ALL RIGHTS RESERVED.

LOC	DIST	REVISIONS			
GP	00	F	LR	DATE	BY
		0		RELEASED PER EC 0513-0288-05	170CT05
					BM WM

⚠ MATERIAL: METRIC MOUNTING STUD - BLACK OXIDE COATED CARBON STEEL.  
 WASHER, LOCKWASHER AND HEX NUT - ZINC PLATED STEEL.

2. ALL HARDWARE SHIPPED UNASSEMBLED.



.193	.688	5553636-3
.256	.750	5553636-2
DIM. B	DIM. A	PART NUMBER

THIS DRAWING IS A CONTROLLED DOCUMENT.		DR B. MCMASTER 170CT05	Tyco Electronics Corporation	
DIMENSIONS:		GW W. MILLIMETERS 170CT05	Harrisburg, PA 17105-3608	
INCHES		APWD W. MILLIMETERS 170CT05	NAME	
0 PLC ±		PRODUCT SPEC	HARDWARE KIT,	
1 PLC ±		APPLICATION SPEC	SHIELDED, CHAMP LATCH	
2 PLC ±		WEIGHT	SIZE	CAGE CODE
3 PLC ±		FINISH	A2	00779
4 PLC ±		MATERIAL	C	5553636
ANGLE ±		CUSTOMER DRAWING	SCALE	4:1
FINISH			SHEET	1 of 1
⚠			REV	0

AMP 1471-9 REV 31MAR2000

5553636

A