

4

3

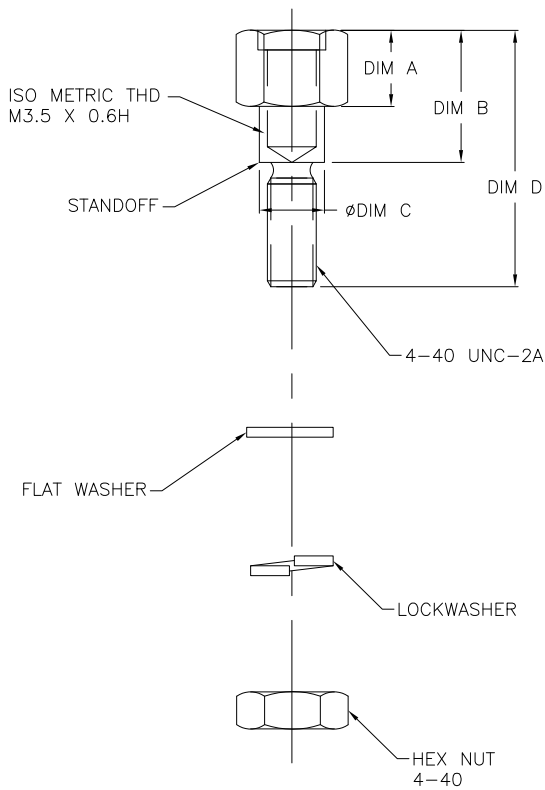
2

1

THIS DRAWING IS UNPUBLISHED. RELEASED FOR PUBLICATION  
 © COPYRIGHT - By - ALL RIGHTS RESERVED.

LOC	DIST	REVISIONS					
GP	00	P	LTR	DESCRIPTION	DATE	DWN	APVD
		P		REVISED PER ECO-11-004835	11MAR11	RK	HMR

1. ALL DIMENSIONS SHOWN ARE FOR REFERENCE ONLY.
2. REQUIRED OF EACH COMPONENT PER KIT.
3. MATERIAL:  
 STANDOFF: BLACK ZINC PLATED CARBON STEEL.  
 NUT, FLAT WASHER & LOCKWASHER: ZINC PLATED CARBON STEEL.



16.51[.650]	4.7[.185]	8.5[.335]	4.9[.193]	5552633-4
16.51[.650]	4.2[.165]	8.6[.339]	6.5[.256]	5552633-3
DIM D	DIM C	DIM B	DIM A	PART NUMBER

THIS DRAWING IS A CONTROLLED DOCUMENT.

DIMENSIONS: mm [INCHES]	TOLERANCES UNLESS OTHERWISE SPECIFIED:	DWN B. MCMASTER 03OCT05	TE Connectivity	
0 PLC ± -	1 PLC ± -	CHK W. MILLHIMES 03OCT05	NAME	
2 PLC ± -	3 PLC ± -	APVD W. MILLHIMES 03OCT05	HARDWARE KIT, STANDOFF, STUD MOUNT, METRIC	
4 PLC ± -	ANGLES ± -	PRODUCT SPEC	SIZE	CAGE CODE
MATERIAL	FINISH	APPLICATION SPEC	A3	00779
		WEIGHT	DRAWING NO	
			C=5552633	
		CUSTOMER DRAWING	SCALE	SHEET
			4:1	1 of 1
				REV P