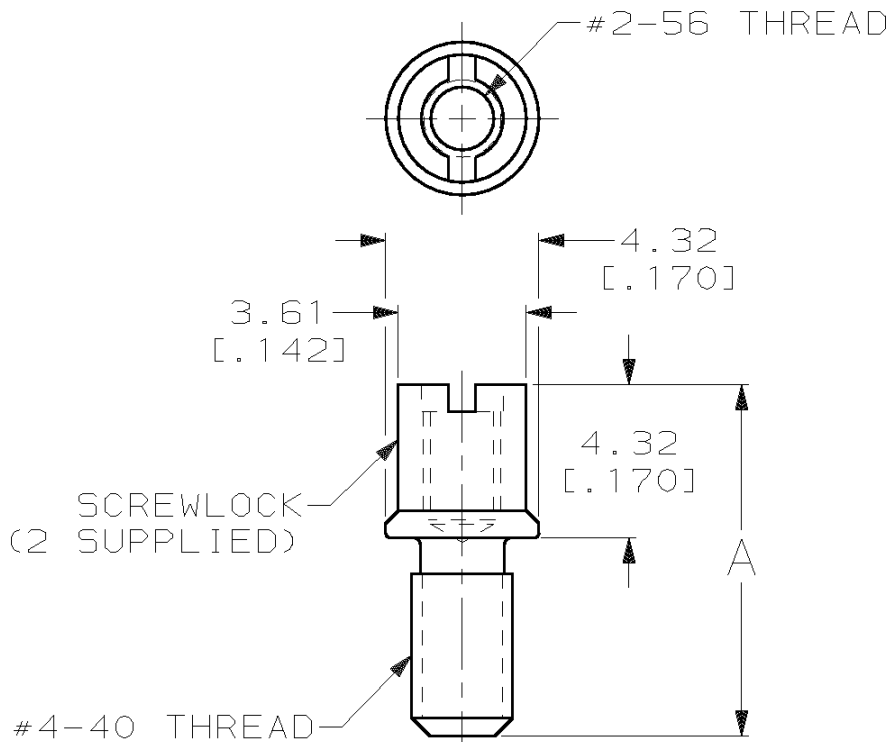


| LOC | DIST | REVISIONS | | | | | |
|-----|------|-------------|------|---------------------------|-----------|----|----|
| P | LTR | DESCRIPTION | DATE | DWN | APVD | | |
| BD | 95 | B | | REV PER ECN BD6083 | 07 AUG 92 | - | RW |
| | | C | | OBS -2 PER EC 0020-481-96 | 13 FEB 97 | DH | LB |
| | | D | | REACTIVATED -2 | 29 JAN 99 | BC | DR |
| | | | | PER EC 0G40-30-99 | | | |



1. KIT TO BE USED WITH CONNECTORS MOUNTED TO PANELS HAVING A THICKNESS OF 1.19[.047].

- 2 COMPONENTS BULK PACKED.
- 3 INDIVIDUAL KIT PACKAGE.

| | | |
|----------|-------------|----------|
| 2/2 | 9.91 [.390] | 750831-2 |
| 2/3 | 9.91 [.390] | 750831-1 |
| QUANTITY | A | PART NO |

THIS DRAWING IS UNPUBLISHED. BY AMP INCORPORATED. ALL RIGHTS RESERVED. COPYRIGHT 19

| | | | |
|--|------------------------------------|--|--------------------|
| DIMENSIONS: mm [INCHES] | DWN M.E. SHIRK 30 SEP 91 | MATERIAL - | FINISH - |
| | CHK J.P. HUSS 30 SEP 91 | AMP AMP Incorporated Harrisburg, PA 17105-3608 | |
| TOLERANCES UNLESS OTHERWISE SPECIFIED: 0 PLC ±- 1 PLC ±- 2 PLC ±0.38[.015] 3 PLC ±- 4 PLC ±- ANGLES ±- | APVD R.N. WHITEMAN 01 OCT 91 | NAME SCREWLOCK KIT, FEMALE, SLIMLINE, AMPLIMITE™ .050 SERIES | |
| | PRODUCT SPEC 108-1366 | SIZE A4 | CAGE CODE 00779 |
| | APPLICATION SPEC 114-40036 | | |
| | WEIGHT - | | |
| CUSTOMER DRAWING | | SCALE 5:1 | SHEET 1 OF 1 |
| | | REV D | |